



CSC3025

6" LED Closet Light with Motion Sensor

Wet Location



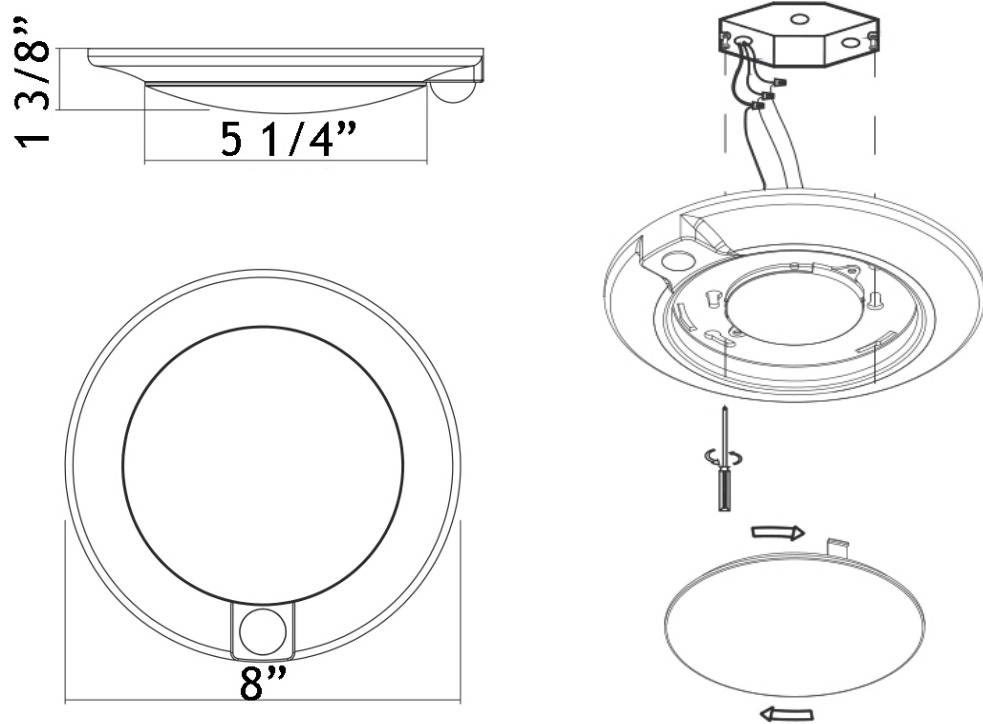
DESCRIPTION

6" Multi-Purpose Surface Mounted Energy-Efficient Fixture That Is Extremely Convenient For Lighting All Your Secondary Spaces. Motion Activated Occupancy Sensor Activates Light When Motion Is Detected And Turns It Off 30 Seconds After Room Is Vacated.

FEATURES & BENEFITS

Fast & Easy to Install in J-Box - Save on Labor
 Wet Location - Suitable For Closets, Storages, Utility Rooms, Soffits
 Light Options 3000K, 4000K & CCT User Selectable 3000-4000-5000K
 CRI 90+ for True Color Rendering

DIMENSIONS OD 8" Thickness 1 3/8"



Project: _____

Location: _____

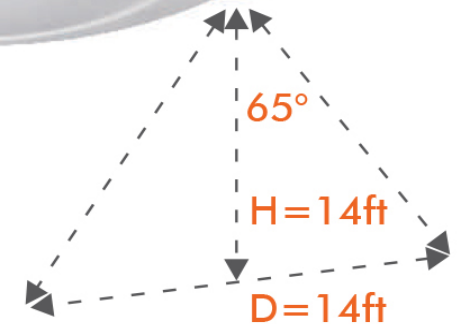
Model: _____ Qty: _____

Notes: _____

SPECIFICATION	
Applications	Closets, Storages, Utility Rooms, Attics, Soffits
Energy Used	15 W
Color Temperature (K)	3000 4000 5000
Light Output (lm)	730 910 815
Halogen Equivalent	75 W
Beam Angle	120°
CRI	90 +
Driver Input	120V AC 50/60 Hz
Dimming	Not Dimmable
Approved Location	Wet Locations
Air Tight	No
Ambient Temperature	-4°F (-20°C) to +104°F (+40°C)
Projected Life	70% Light Output at 50,000 Hours
Certification	cETLus
Warranty	5 Year



Motion Sensor Effective Range



ORDERING GUIDE

	CCT	Trim
CSC3025-3K-WH	3000K	White
CSC3025-4K-WH	4000K	White
CSC3025-LED-PIR-3CCT-WH	3CCT	White

Black, Bronze & Brushed Nickel Trims Available by Custom Order