

## FR-LED-6-S15W-5CCT-FG

### 6" Round Fire Rated Floating Gimbal Recessed LED 5CCT 15W

Project: \_\_\_\_\_

Location: \_\_\_\_\_

Qty: \_\_\_\_\_

Notes: \_\_\_\_\_

#### DESCRIPTION

6" Round Fire Rated Floating Gimbal Recessed LED

**The First Fully Adjustable Fire Rated Lighting Fixture**



**2 HOUR FIRE RATING**  
Tested to comply with UL 263,  
ASTM E119 & CAN ULC S101

#### FEATURES & BENEFITS

**2 Hour Fire Rated** without additional housing or hardware

**Heat Resistant Steel Casing** provides up to 2 Hour Fire Protection

**Heavy Duty Steel Spring Clips** for easy installation

**1" Spring Height** for installations on up to 2 x 5/8" drywall

**Plenum Rated Cable** for Commercial Installations

**Type IC, Damp Location & Air-Tight Rated**

**1 1/2" Thin** - Install in Limited Ceiling Spaces

**Driver Inside Connection Box** - No Junction Box Needed

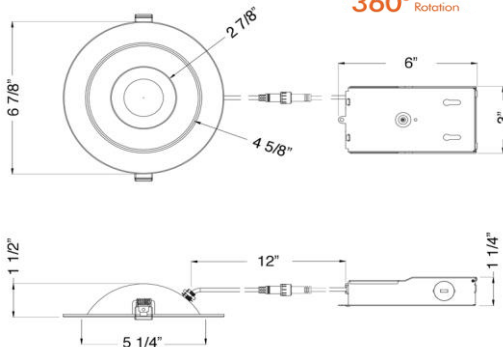
**5 CCT User Selectable Light Colors**

**CRI 90+** for True Color Rendering

**DIMENSIONS** ID 5 1/4" OD 6 7/8" Cut Out 5 1/2" to 6"

Fixture Thickness: 1 1/2"

120V Triac Dimmable Driver Included  
5CCT switch on the driver



#### ORDERING GUIDE

**FR-LED-6-S15W-5CCT-FG-WH** CCT 5CCT Trim [White](#)

5CCT: 2700 - 3000 - 3500 - 4000 - 5000K

Stock trim - White. Other Trim Colors Available By Custom Order



#### INSTRUCTIONS FOR PROPER ASSEMBLY

Cut a circular opening in the gypsum ceiling such that the annular space between

the ceiling membrane and the fixture does not exceed 1/8 inch. Ensure penetrations do not exceed 100 square inches in any 100 square feet of ceiling area.

Install with a minimum separation of 4 feet between units. Maintain a minimum 1 inch space between the edge of the fixture and closest structural member.

#### SPECIFICATION

Applications	Multi-Family Residential, Basements & Commercial
Energy Used	15 W
Color Temperature (K)	2700 - 3000 - 3500 - 4000 - 5000
Light Output (lm)	1180 - 1270 - 1350 - 1370 - 1350
Halogen Equivalent	120 W
Beam Angle	38°
CRI	90+
Driver Input	120V AC 50/60 Hz
Dimming	TRIAC Dimmers 10% - 100%
Junction Box Volume	9.69 cubic inches / Max 5 No 12 AWG or 8 No 14 AWG
Approved Location	Insulated Ceiling & Damp Locations
Cable	FT6 / CMP Plenum Rated
Air Tight & Type IC	Yes
Ambient Temperature	-4°F (-20°C) to +104°F (+40°C)
Projected Life	70% Light Output at 50,000 Hours
Certification	cETLus
Fire Rating	UL 263-2011(R2022), STM E119-20 & CAN/ULC-S101-14
Warranty	3 Year

#### ACCESSORIES

Sold Separately



[1 1/4" Flanged Rough-In Plate model # MP6-114FR](#)



[13" Mounting Plate Flat model # MP6-2](#)



[26" Flat Rough-In Plates model # RIP6](#)



[Flanged Plate with Hanger Bars - model # FRP6](#)



[Jumper Cable 10 ft. 5 CCT Model # FR-JC-5CCT-10](#)



[0-10V Dimmable driver 120-347V HBL015-AW-10-01A-5CS](#)



[Emergency Driver 8W 120-347V BLD-HM08D-YYY](#)

Lotus LED Lights USA

250 H Street # 301, Blaine WA 98230 tel 360-200-5500

Hainesport NJ, Naples FL, Vancouver WA

[www.LotusLEDLights.com](http://www.LotusLEDLights.com)

mailing addresses

warehouses

Lotus LED Lights CANADA

1080 Cliveden Ave # 6, Delta BC V3M 6G6 tel 604-538-3090

Delta BC, Mississauga ON