



LED-2-S15W

2" Round / Square Recessed LED 15W High Output Designer Series

Project: _____

Location: _____

Trim: _____ Reflector: _____ Qty: _____

Notes: _____

DESCRIPTION

2" Recessed LED With Integral Driver In Connection Box
Interchangeable Reflectors, Trims & Lens Available

FEATURES & BENEFITS

- Round, Square & Specialty** trims - designer series fixture
- 1000 lm** with **CRI 90+** for True Color Rendering
- 27K, 30K, 40K, 5CCT** field selectable & **Dim to Warm 3000-1800K** options
- Beam options: **38°** (standard), **24°** & **60°** available as adder
- 4 3/8" Deep** - Install Where Ceiling Space Is Limited
- Type IC Rated** - No Housing Required
- Driver Inside Connection Box** - No Junction Box Needed
- Suitable for steam showers and saunas with shower trim 2RST**

Reflectors



2RRWH White **2RRBK** Black **2RRAK** Alzak **2RRBZ** Bronze **2RRCH** Chrome

Round Trims



2RTWH White **2RTBK** Black **2RTBN** Brushed Nickel **2RTBZ** Bronze **2RTCP** Copper **2RTCH** Chrome

Square Trims



2STWH White **2STBK** Black **2STBN** Brushed Nickel **2STBZ** Bronze **2STCP** Copper **2STCH** Chrome


Specialty Trims - in stock White, other colors available by custom order



2RPH Pinhole **2RSA** Slot Aperture **2RWW** Wall Wash **2RSH** Square Hole **2RST** Shower Trim

ORDERING GUIDE	CCT	Reflector	Trim	Beam Angle
LED-2-S15W	- xxK	- 2RRxx	- 2xxx	blank for 38°
	27 30 40 5CCT 3018			-24D for 24°
				-60D for 60°

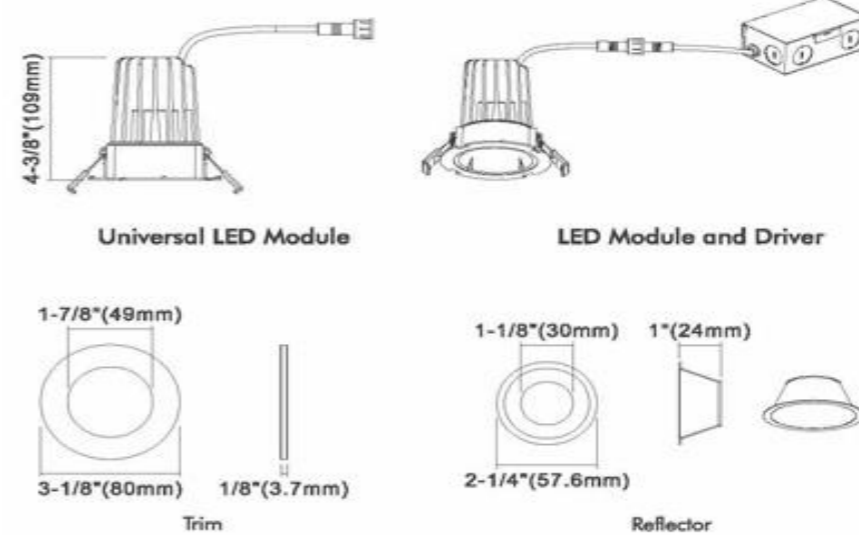
Example:

LED-2-S15W	- 30K	- 2RRWH	- 2RTWH	
	3000K	Reflector	Round Trim	38° beam
		White	White	

Default beam angle is 38°, Optional are 24° & 60°

SPECIFICATION	
Applications	Commercial & High End Residential
Energy Used	15 W
Color Temperature (K)	2700 3000 4000 5CCT: 27K-30K-35K-40K-50K 3018
Light Output (lm)	980 1000 1020 820-880-960-1000-960 800
Halogen Equivalent	100 W
Beam Angle	38° (standard), 24° & 60° available as adder
CRI	90 +
Default Driver	120V AC Triac Dimmable - for all CCTs
Optional Driver single CCT	120-277V AC 0-10V Dimmable - for single CCTs & DTW
Optional Driver 5CCT	120-347V AC 0-10V Dimmable - for 5CCT model
J-Box Volume	6.53 in ³ / 2 in 2 out 12AWG
Approved Location	Insulated Ceiling & Damp Locations / Wet with 2RST trim
Air Tight	Yes
Ambient Temperature	-4°F (-20°C) to +104°F (+40°C)
Projected Life	70% Light Output at 50,000 Hours
Certification	cETLus, Energy Star, T24
Warranty	5 Year

DIMENSIONS: ID 1 7/8" ; OD 3 1/8" ; Cut Out Needed For Driver 2 3/4"
Ceiling Clearance Required: 4 1/2" 120V Triac Dim Driver Included



ACCESSORIES

Sold Separately



[Flanged Mounting Plate with bars model FRP212](#)

[13" Mounting Plate model MP234](#)

[26" Rough-In Plates - model # RIP212](#)

[Jumper Cables for single CCT JC10](#)

[Jumper Cables for 5 CCT model JC-5CCT-10](#)

[Goof Ring OD 4 1/2" White # GR3 Black # GR3-BK](#)

0-10V Dimmable driver 120-277V for single CCT & DTW
[model HBL015-AW-10-01L](#)

0-10V Dimmable driver 120-347V for 5 CCT
[model HBL015-AW-10-01A-5CS](#)

Emergency Driver 8W 120-347V input
[model # BLD-HM08D-YYY](#)