



# LED-3-S7W-FG

## 3" Round Floating Gimbal Recessed LED 7W



### DESCRIPTION

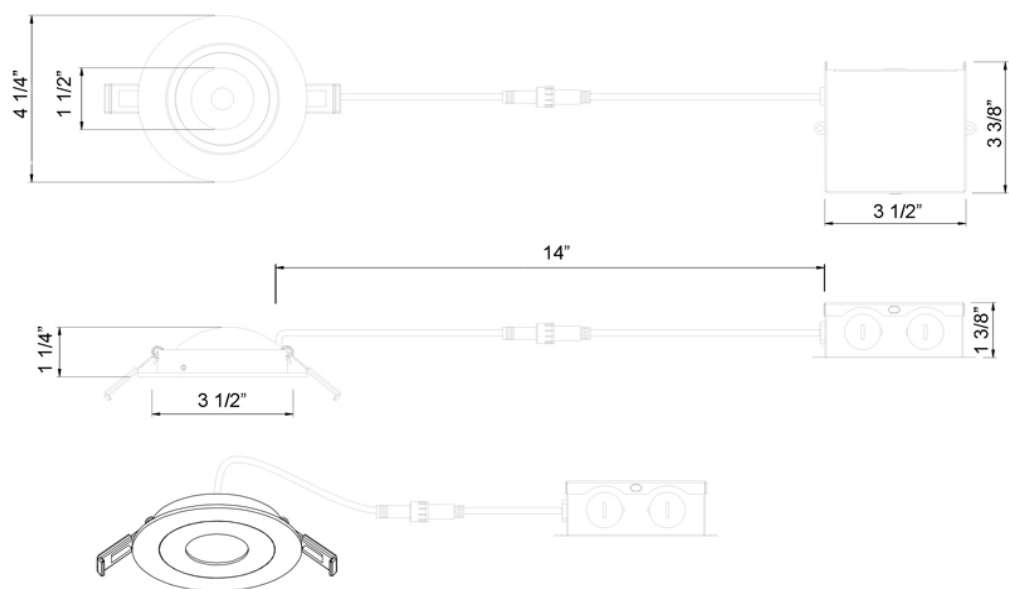
3" LED Floating Gimbal  
Adjustable in any direction and easy to use  
Perfect for accent lighting

### FEATURES & BENEFITS

- 5 CCT Switchable 2700-3000-3500-4000-5000K, Single CCT **3000K** or **Dim to Warm** 3000K to 1800K
- CRI 90+** for true color rendering
- 1 1/4" Deep** - Fits in 3/4" ceiling space (with driver remotely mounted)
- Type IC Rated** - No Housing Required
- Driver Inside Connection Box** - No Junction Box Needed
- White & Black** trims in stock
- Damp Location & Airtight**
- Ideal for slopped ceilings, soffits, wall washing, highlighting artwork, task and general lighting



**DIMENSIONS** ID 3 1/2" OD 4 1/4" Depth 1 1/4" Cut Out 3 3/4"



### ORDERING GUIDE

	CCT	Trim
<b>LED-3-S7W-5CCT-FG-WH</b>	5CCT	<a href="#">White</a>
<b>LED-3-S7W-3K-FG-WH</b>	3000K	<a href="#">White</a>
<b>LED-3-S7W-3018K-FG-WH</b>	Dim to Warm	<a href="#">White</a>
<b>LED-3-S7W-5CCT-FG-BK</b>	5CCT	<a href="#">Black</a>
<b>LED-3-S7W-3K-FG-BK</b>	3000K	<a href="#">Black</a>
<b>LED-3-S7W-3018K-FG-BK</b>	Dim to Warm	<a href="#">Black</a>

Project: \_\_\_\_\_  
 Location: \_\_\_\_\_  
 Model: \_\_\_\_\_ Qty: \_\_\_\_\_  
 Notes: \_\_\_\_\_

SPECIFICATION	
Applications	Slopped ceilings, soffits, wall washing, artwork
Energy Used	7 W
Color Temperature (K)	2700   3000   3500   4000   5000   Dim to Warm 3000-1800
Light Output (lm)	550   580   630   630   640   465
Halogen Equivalent	50 W
Beam Angle	38°
CRI	90+
Driver Input	120V AC
Dimmability	Triac Dimmable 100% - 10%
Junction Box Volume	6.53 in3 / 2 in 2 out 12AWG
Approved Location	Insulated Ceiling & Damp Locations
Air Tight	Yes
Ambient Temperature	-4°F (-20°C) to +104°F (+40°C)
Projected Life	70% Light Output at 50,000 Hours
Certification	cETLus
Warranty	3 Year

### Trim Options



### ACCESSORIES

Sold Separately



[Flat Mounting Plate model MP334](#)



[Jumper Cable 10 ft. Dim to Warm Model # JC-10](#)

[Jumper Cable 10 ft. 5 CCT Model # JC-5CCT-10](#)