



LED-6-S12W

6" Ultra Slim Round Recessed LED 12W



Project: _____

Location: _____

Model: _____ Qty: _____

Notes: _____

DESCRIPTION

6" Round Recessed LED With Integral Driver In Connection Box
Single Color or 5 CCT

FEATURES & BENEFITS

1/2" Thick - Install Directly Under Ceiling Joists

Type IC Rated - No Housing Required

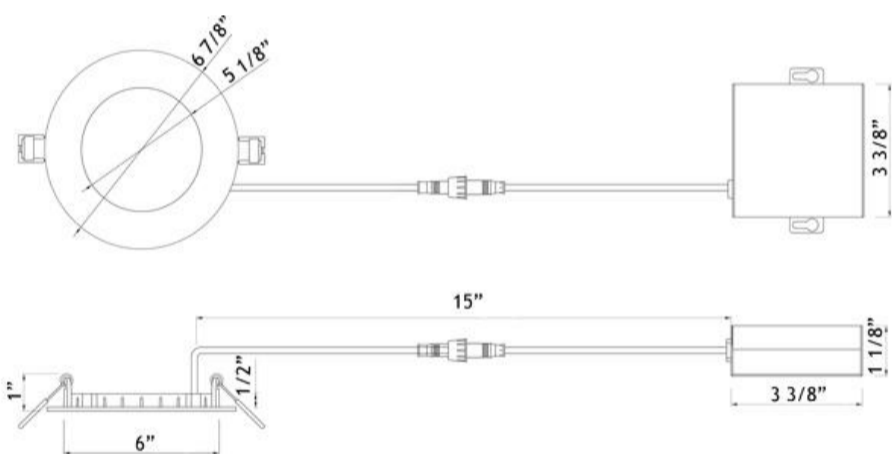
Driver Inside Connection Box - No Junction Box Needed

5 CCT Switchable Option - User Selectable Light Colors

120V Triac Dimmable or **120-347V 0-10V Dimmable Drivers**

DIMENSIONS ID 6" OD 6 7/8" Cut Out 6 1/8"

Fixture Thickness: 1/2"



5 CCT Option



5 Light Colors
User Selectable
2700K | 3000K | 3500K
4000K | 5000K



ORDERING GUIDE

	CCT	Trim	Packaging
LED-6-S12W-3K-WH	3000K	White	single
LED-6-S12W-4K-WH	4000K	White	single
LED-6-S12W-5CCT-WH	5CCT	White	single
LED-6-S12W-5CCT-WH-6P	5CCT	White	6 pack

Stock trim - White. Other Trim Colors Available By Custom Order

SPECIFICATION

Applications	Renovations & New Construction
Energy Used	12 W
Color Temperature (K)	3000 4000 5CCT : 2700 - 3000 - 3500 - 4000 - 5000
Light Output (lm)	800 820 5CCT : 1000 - 1060 - 1080 - 1060 - 1010
Halogen Equivalent	90 W
Beam Angle	120°
CRI	80
Default Driver Input & Dimming	120V AC 50/60 Hz - Triac Dimmable
Optional Driver Input & Dimming	120V-347V AC 50/60 Hz - 0-10V Dimmable
Junction Box Volume	9.69 cu in / Max 5 No 12 AWG or 8 No 14 AWG
Approved Location	Insulated Ceiling & Damp Locations
Air Tight	Yes
Ambient Temperature	-4°F (-20°C) to +104°F (+40°C)
Projected Life	70% Light Output at 50,000 Hours
Certification	cETLus, Energy Star
Warranty	3 Year

ACCESSORIES

Sold Separately



[13" Mounting Plate Flat model # MP6-2](#)



[26" Flat Rough-In Plates model # RIP6](#)



[Flanged Plate with Hanger Bars - model # FRP6](#)



[0-10V Driver 120-347V for 5CCT HBL012-AW-10-01A-5CS](#)



[0-10V Driver 120-347V for Single CCT HBL012-AW-10-01L](#)



[Jumper Cable for single CCT 10 ft model # JC-10](#)



[Jumper Cable for 5CCT 10 ft model # JC-5CCT-10](#)



[Goof Ring White OD 7 5/8" model # GR6](#)

COMPLIANCE



Type IC
Air-Tight

Lotus LED Lights USA

250 H Street # 301, Blaine WA 98230 tel 360-200-5500
Hainesport NJ, Naples FL, Vancouver WA

www.LotusLEDLights.com

mailing addresses
warehouses

Lotus LED Lights CANADA

1080 Cliveden Ave # 6, Delta BC V3M 6G6 tel 604-538-3090
Delta BC & Mississauga ON