

LSD

Mini Die-Cast LED Step Light



Project: _____

Location: _____

Model: _____ Qty: _____

Notes: _____

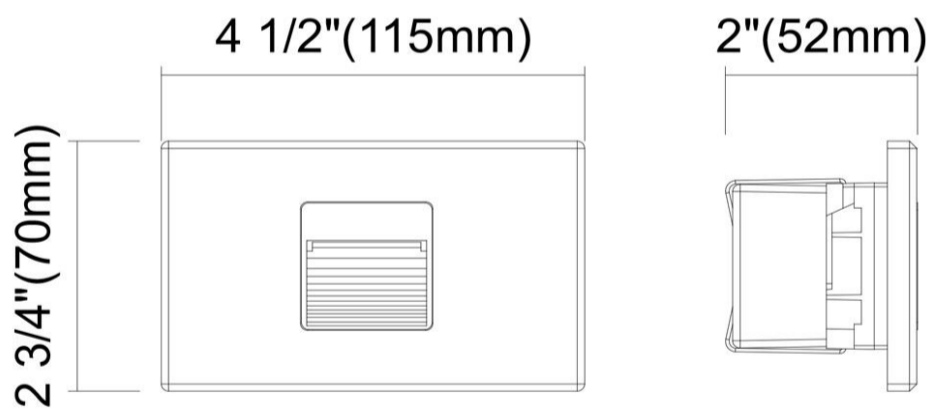
DESCRIPTION

Light by Lotus Step or Wall Light can be used Indoor & Outdoor
 Great for highlighting stairs, walls & walkways
 Dual Horizontal & Vertical mounting option in one fixture
 Light options:
 - 5CCT user selectable 2700, 3000, 3500, 4000 & 5000K - Dimmable
 - Dim to Warm 3000K to 2000K
 - 3000K not dimmable

FEATURES & BENEFITS

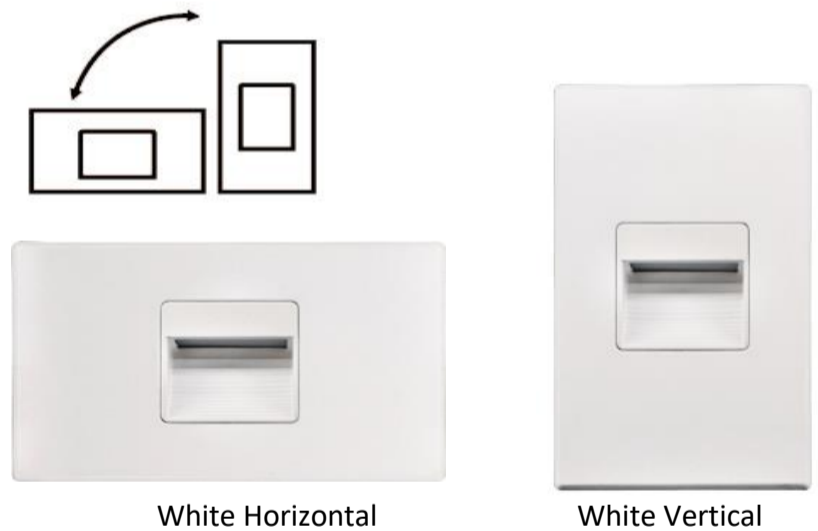
2.5W to 3W total power consumption
 No remote driver needed
 Fits into 2" x 4" junction box
 ETL listed for wet locations

DIMENSIONS 4 1/2" x 2 3/4" Faceplate Thickness 5/16"



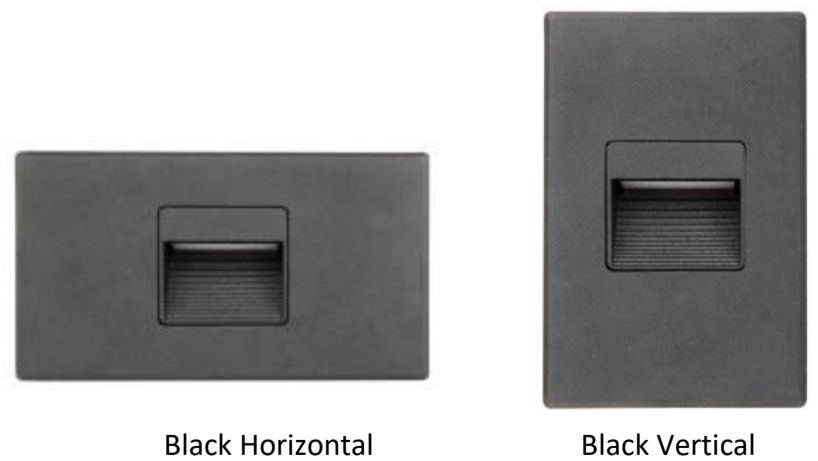
SPECIFICATION	
Applications	Stairways, Walkways, Patios, Decks
Energy Used (W)	2.5 W 3W
Color Temperature (K)	3000K DTW 3000-2000K 5CCT
Light Output (lm)	125 100 90
Halogen Equivalent	15 W
CRI	90 +
Input	120 V AC
Dimming	Triac Dimmable except 3000K
Ambient Temperature	-4°F (-20°C) to +104°F (+40°C)
Approved Location	Wet & Dry
Projected Life	70% Light Output at 50,000 Hours
Certification	cETLus
Warranty	5 Year

Mounting and Trim Options



ORDERING GUIDE

CCT	Trim Color	Model	Dimmability
5CCT	White	LSD09-5CCT-WH	Dimmable
5CCT	Black	LSD09-5CCT-BK	Dimmable
DTW 30-20K	White	LSD-32K-WH	Dimmable - Dim To Warm
DTW 30-20K	Black	LSD-32K-BK	Dimmable - Dim To Warm
3000K	White	LSD-3K-WH	Not Dimmable
3000K	Black	LSD-3K-BK	Not Dimmable



Lotus LED Lights USA
 250 H Street # 301, Blaine WA 98230 tel 360-200-5500
 Hainesport NJ, Naples FL, Vancouver WA

www.LotusLEDLights.com
 mailing addresses
 warehouses

Lotus LED Lights CANADA
 1080 Cliveden Ave # 6, Delta BC V3M 6G6 tel 604-538-3090
 Delta BC & Mississauga ON