

LSD03

LED Step Light Horizontal with Motion Sensor & Photocell



Project: _____

Location: _____

Model: _____ Qty: _____

Notes: _____

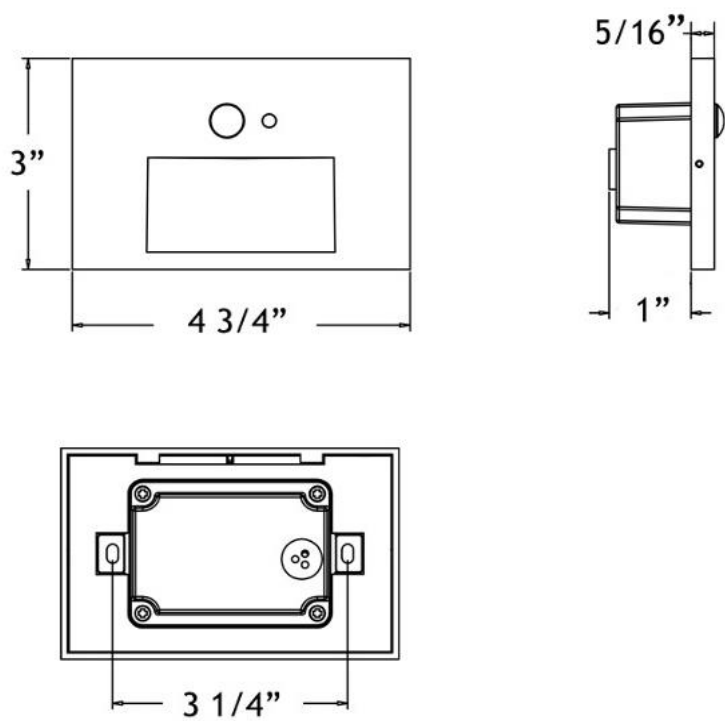
DESCRIPTION

Step Light Horizontal with integrated Motion Sensor & Photocell
 Hi light stairs, walls, walkways, hallways
 Occupancy sensor turns ON in low light only and when motion is detected and will turn OFF after 1 minute when no motion detected

FEATURES & BENEFITS

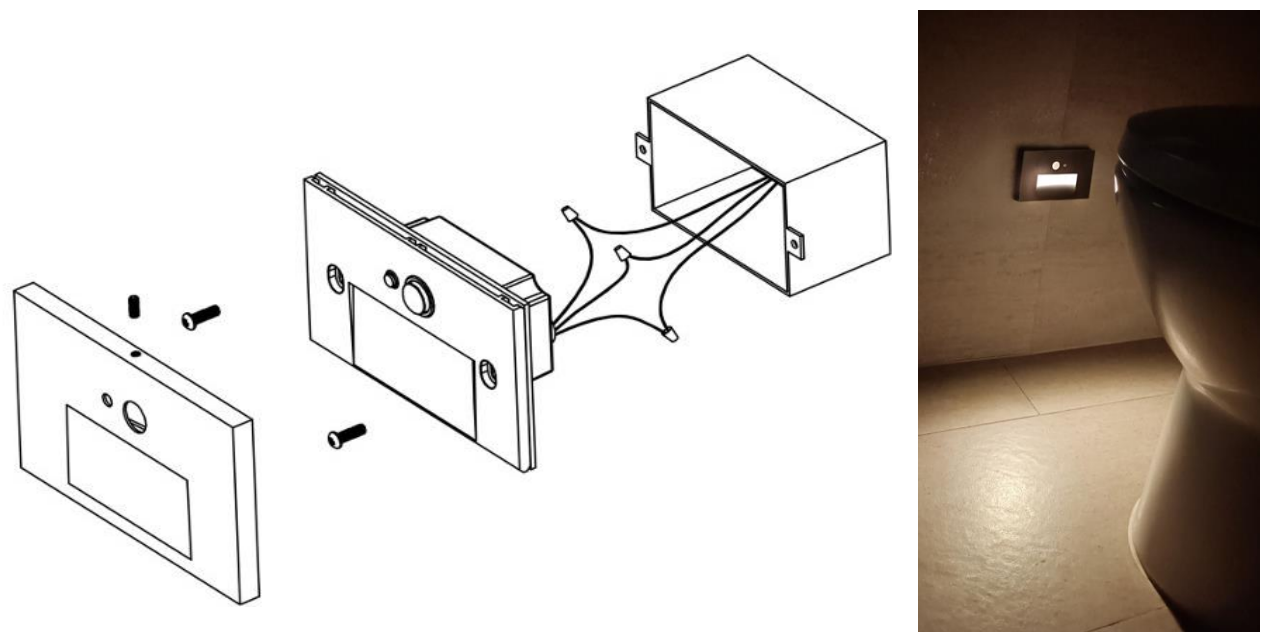
- 2.5W total power consumption
- No remote driver needed
- Fits into 2" x 4" junction box
- ETL listed for wet locations
- Indoor & Outdoor Use

DIMENSIONS 4 3/4" x 3" Faceplate Thickness 5/16"



| SPECIFICATION | |
|-----------------------|---|
| Applications | Stairways, Walkways, Patios, Decks, Bathrooms |
| Energy Used (W) | 2.5 W |
| Color Temperature (K) | 3000 K |
| Light Output (lm) | 80 lm |
| Halogen Equivalent | 10 W |
| CRI | 90 + |
| Input | 120 V AC |
| Dimming | Not dimmable |
| Ambient Temperature | -4°F (-20°C) to +104°F (+40°C) |
| Approved Location | Wet & Dry |
| Projected Life | 70% Light Output at 50,000 Hours |
| Certification | cETLus |
| Warranty | 5 Year |

INSTALLATION



Trim Options

ORDERING GUIDE

LSD03-3K-WH [3000K White Trim](#)

LSD03-3K-BK [3000K Black Trim](#)

Other Light and Trim Colors Available
 By Custom Order



White



Black

| | | |
|--|--|---|
| <p>Lotus LED Lights USA 250 H Street # 301, Blaine WA 98230 tel 360-200-5500 Hainesport NJ, Naples FL, Vancouver WA</p> | <p>www.LotusLEDLights.com mailing addresses warehouses</p> | <p style="text-align: right;">Lotus LED Lights CANADA 1080 Cliveden Ave # 6, Delta BC V3M 6G6 tel 604-538-3090 Delta BC & Mississauga ON</p> |
|--|--|---|