

# LSD04



## LED Step Light Vertical with Motion Sensor & Photocell

Project: \_\_\_\_\_

Location: \_\_\_\_\_

Model: \_\_\_\_\_ Qty: \_\_\_\_\_

Notes: \_\_\_\_\_

### DESCRIPTION

Step Light Vertical with integrated Motion Sensor & Photocell

Hi light stairs, walls, walkways, hallways

Occupancy sensor turns ON in low light only and when motion is detected and will turn OFF after 1 minute when no motion detected

### FEATURES & BENEFITS

2.5W total power consumption

No remote driver needed

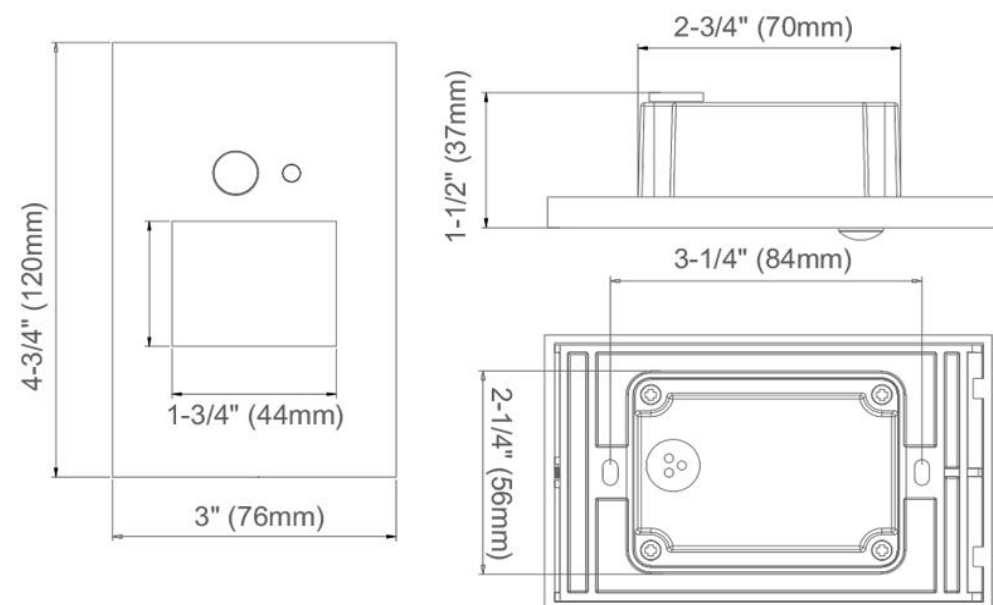
Fits into 2" x 4" junction box

ETL listed for wet locations

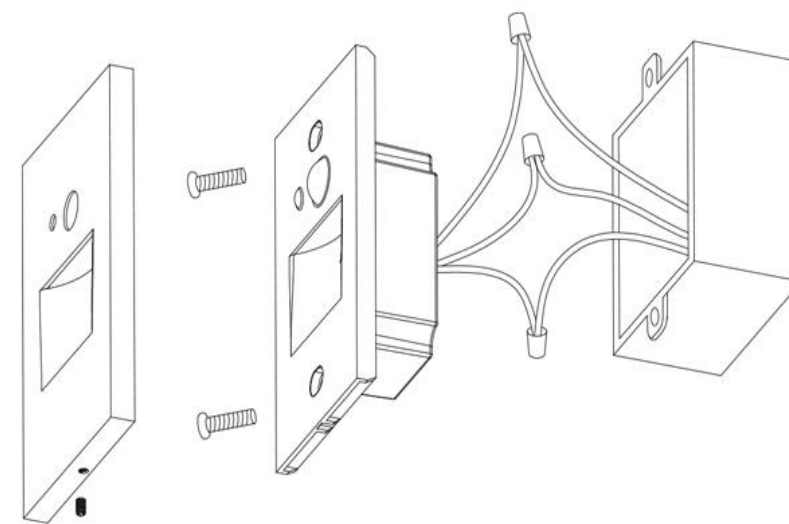
Indoor & Outdoor Use

SPECIFICATION	
Applications	Stairways, Walkways, Patios, Decks, Bathrooms
Energy Used (W)	2.5 W
Color Temperature (K)	3000 K
Light Output (lm)	80 lm
Halogen Equivalent	10 W
CRI	90 +
Input	120 V AC
Dimming	Not dimmable
Ambient Temperature	-4°F (-20°C) to +104°F (+40°C)
Approved Location	Wet & Dry
Projected Life	70% Light Output at 50,000 Hours
Certification	cETLus
Warranty	5 Year

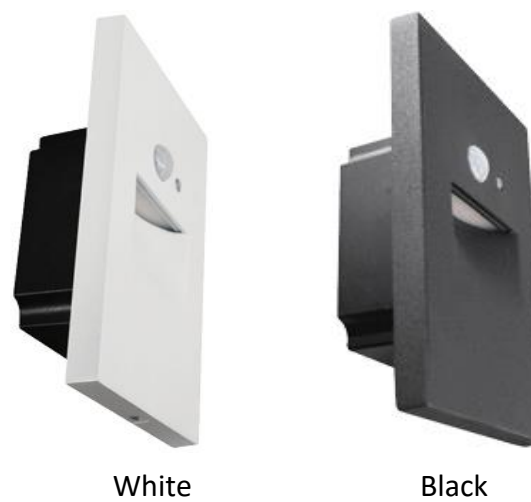
DIMENSIONS 4 3/4" x 3" Faceplate Thickness 5/16"



### INSTALLATION



### Trim Options



White

Black



### ORDERING GUIDE

LSD04-3K-WH [3000K White Trim](#)

LSD04-3K-BK [3000K Black Trim](#)

Other Light and Trim Colors Available  
By Custom Order

**Lotus LED Lights USA**  
250 H Street # 301, Blaine WA 98230 tel 360-200-5500  
Hainesport NJ, Naples FL, Vancouver WA

[www.LotusLEDLights.com](http://www.LotusLEDLights.com)  
mailing addresses  
warehouses

**Lotus LED Lights CANADA**  
1080 Cliveden Ave # 6, Delta BC V3M 6G6 tel 604-538-3090  
Delta BC & Mississauga ON