



# TP120-347-RT4-C-DIM-G1-ES

## 4" Round Commercial 3 CCT & 3 Wattage Selectable

Project: \_\_\_\_\_

Location: \_\_\_\_\_

Trim: \_\_\_\_\_ Qty: \_\_\_\_\_

Notes: \_\_\_\_\_

### DESCRIPTION

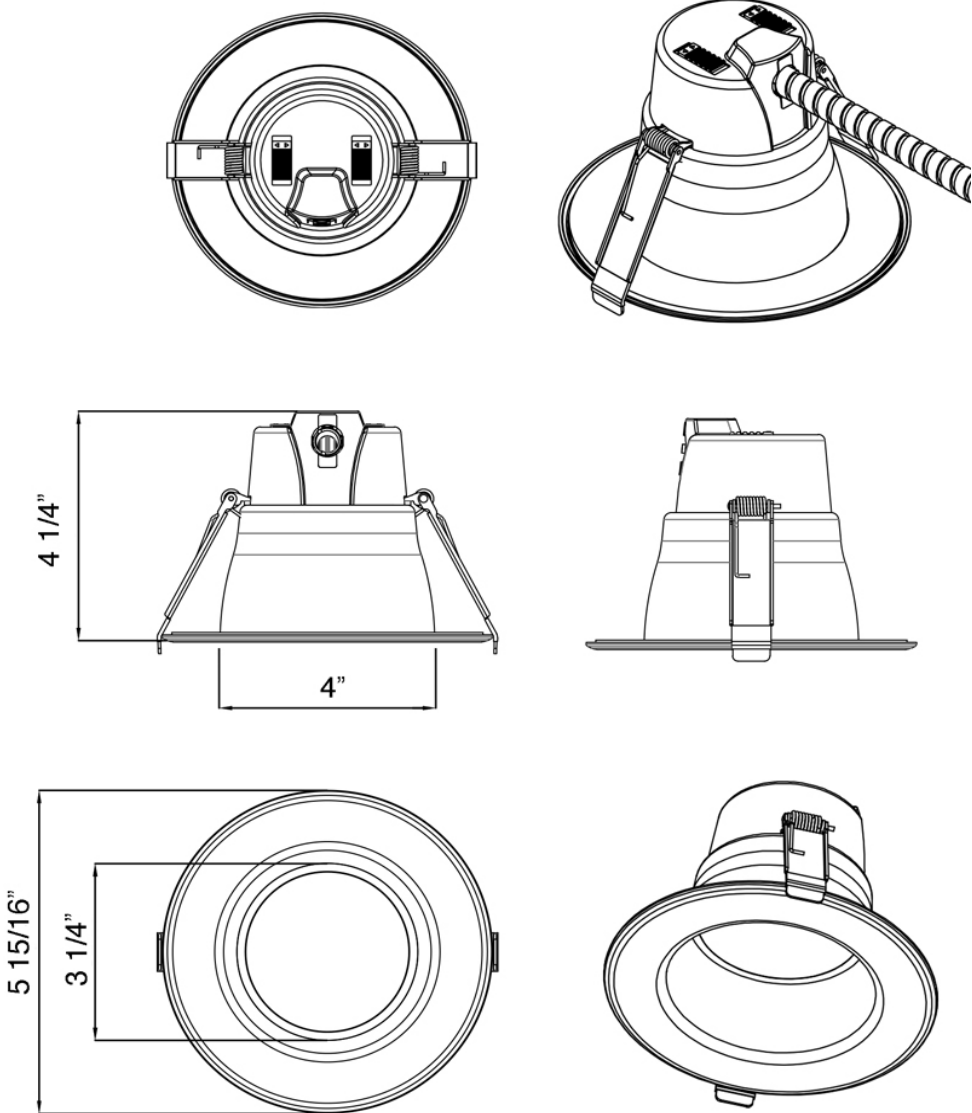
All in one solution 4" round recessed commercial grade LED fixture  
 Perfect for hospitality, shopping mall & retail, office, exterior soffit, etc.

### FEATURES & BENEFITS

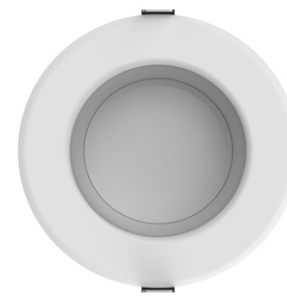
- User selectable 3 light colors & 3 power options
- Universal voltage 120V-347V input
- 0-10V Dimmable 5%-100%
- CRI 90+ for true color rendering
- Type IC, Wet location & Air-tight
- Regressed optics with low glare
- Suitable for new construction and retrofit applications

SPECIFICATION	
Applications	Commercial Recessed Ceiling
Power Levels (W)	5.5   8   12
Light Output (lm)	500   700   1000
Color Temperature (K)	3CCT: 3000K - 3500K - 4000K
Beam Angle	83°
CRI	90 +
Input	120V-347V AC 50/60 Hz
Dimming	0 - 10V
Approved Location	Insulated Ceiling & Wet Locations
Air Tight	Yes
Ambient Temperature	-4°F (-20°C) to +104°F (+40°C)
Projected Life	70% Light Output at 50,000 Hours
Certification	cETLus, Energy Star, T24
Warranty	5 Year

DIMENSIONS	ID 4"	OD 5 15/16"	Regressed 1"
	Cut Out 4" to 5 1/4"		



### Trim Options



[Matte White](#)



[Alzak \(White Trims & Matte Silver Reflector\)](#)



### ACCESSORIES

Sold Separately



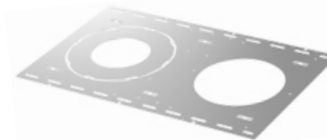
Black trim cover model # [LBL-4CRT-B](#)



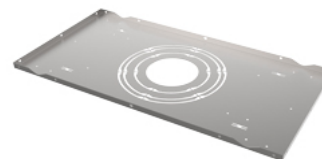
Silver trim cover model # [LBL-4CRT-S](#)



Goof Ring White OD 8 1/2" model # [LBL-4CGR-W](#)



New Construction Mounting Plate for Stud Ceiling  
[model # LBL-MP-C4-8-STUD](#)

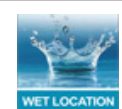


New Construction Mounting Plate for T-bar Ceiling  
[model # LBL-MP-C4-10-TBAR](#)

### ORDERING GUIDE

	Trim / Reflector
<b>TP120-347-RT4-C-DIM-G1-ES</b>	<a href="#">White</a>
<b>TP120-347-RT4-C-DIM-G1-ES-A2</b>	<a href="#">Alzak</a>

### COMPLIANCE



Type IC  
 Air-Tight

**Lotus LED Lights USA**  
 250 H Street # 301, Blaine WA 98230 tel 360-200-5500  
 Hainesport NJ, Naples FL, Vancouver WA

[www.LotusLEDLights.com](http://www.LotusLEDLights.com)  
 mailing addresses  
 warehouses

**Lotus LED Lights CANADA**  
 702 Chester Rd, Delta BC V3M 6J1 tel 604-538-3090  
 Delta BC & Mississauga ON