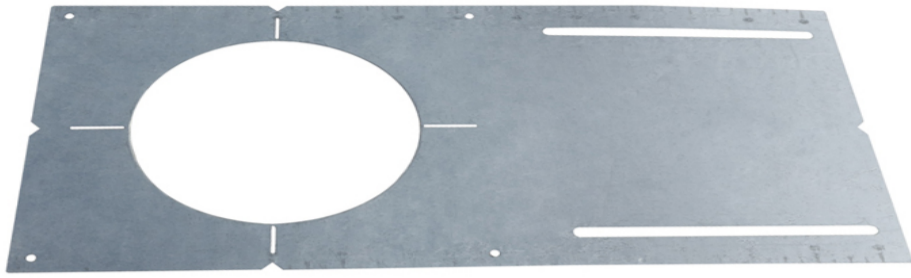




MP4-2

13" Long Flat Rough-In Plate for 4" Models



Project: _____

Location: _____

Quantity: _____

To be used with fixture model: _____

Notes: _____

DESCRIPTION

13" Long Rough-in plate Flat for new construction pre-mounting of 4" models.

Hole diameter 4 1/4"

FEATURES

Made from galvanized steel.

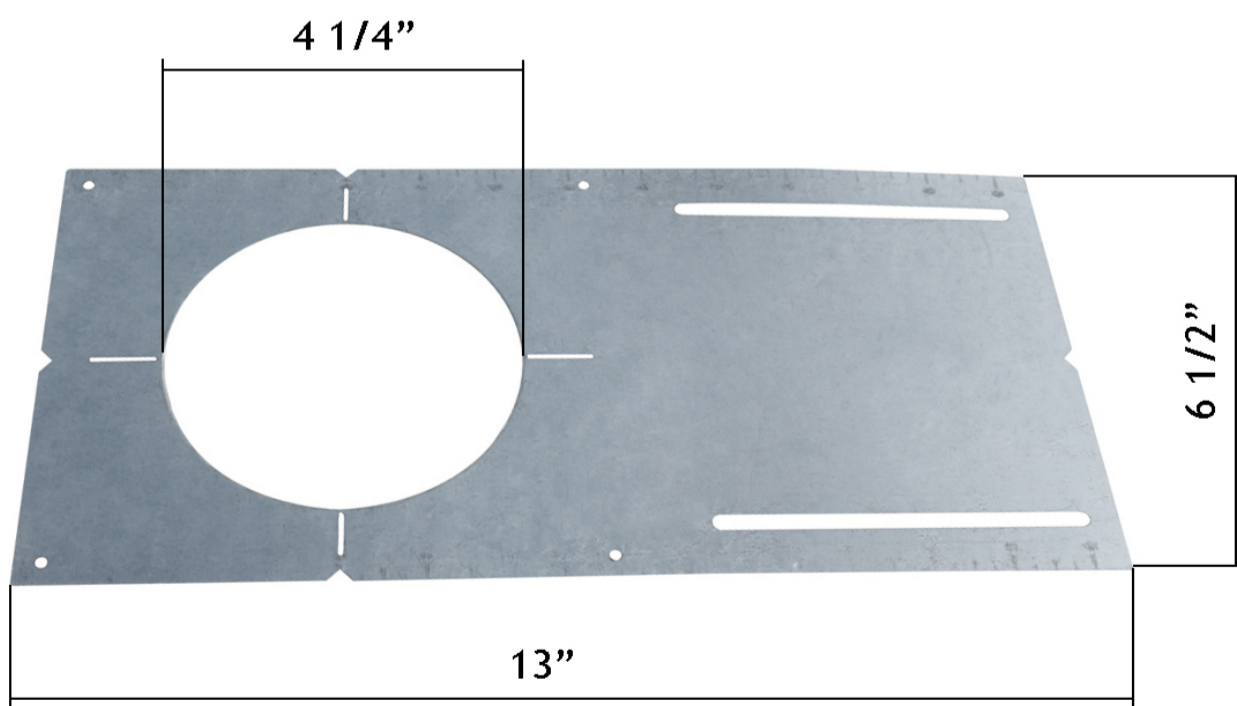
Plate has alignment notches, slots and holes.

MOUNTING

Fix the plate with screws (not supplied) through the mounting slots.

ORDERING GUIDE

model # **MP4-2**



COMPATIBLE FIXTURES

[LB4R](#)

[LB4R24V](#)

[LL4R](#)

[LL4R24V](#)

[LL4G](#)

[LL4G-HO](#)

[LL4RR](#)

[LL4SR](#)

[LD4R](#)

[LD4R-HO](#)

[LD4R-CPL](#)

[LD4R-HO-CPL](#)

[LD4S](#)

[LD4S-HO](#)

[AD-LED-4-S12W-LREY](#)

[AD-LED-4-S12W-LREY-SQ](#)

[LED-4-S9W-FG](#)

[LED-S9W](#)

[LED-S9W-5CCTWH-R-BF](#)

[LED-S9W-5CCTWH-SQ](#)

[LY4RCS](#)

[LY41RCD](#)

[LY4S](#)

[LL4S](#)

[LB4S/24V](#)

[JXL-COB04-R15W-CCT](#)

[JXL-COB04-S15W-CCT](#)

[FR-LED-4-S9W-5CCT-FG](#)

[FR-LED-4-S12W-5CCT-PL](#)