

# LD3S-5SSL

## 5" Square 30° Sloped Regressed LED 15W

Project: \_\_\_\_\_

Location: \_\_\_\_\_

Model: \_\_\_\_\_ Beam: \_\_\_\_\_ Qty: \_\_\_\_\_

Notes: \_\_\_\_\_

### DESCRIPTION

5" Square **30° Sloped** Regressed LED  
With Integral Driver In Connection Box

### FEATURES & BENEFITS

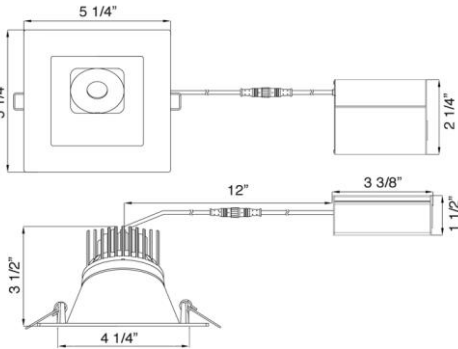
- 3/4" Regressed & with 38° Directional Beam for Reduced Glare
- 3 1/2" Deep - Install Where Ceiling Space Is Limited
- Type IC, Air-Tight & Wet Location rated
- 5CCT** user selectable 2700-3000-3500-4000-5000K
- or **Dim to Warm** 3000K to 1800K options
- CRI 90+ for True Color Rendering
- Options of 4 beam angles: standard **38°** and custom **15°, 24° & 60°**
- Driver Inside Connection Box - No Junction Box Needed

### MOUNTING

- Cut Hole In Ceiling And Snap Fixture In Opening
- With Attached Spring Clips
- Ceiling Clearance Required for driver to fit: 3 1/2"

**DIMENSIONS:** ID 4 1/2", OD 5 1/4" Square, Depth 3 1/2"  
Cut Out 5" Round Hole

| SPECIFICATION              |   |
|----------------------------|---|
| Applications               | Sloped Ceilings , Wall Washing                    |
| Power                      | 15 W  |
| Color Temperature (K)      | 2700   3000   3500   4000   5000   DTW 3000-1800K |
| Light Output (lm)          | 1220   1270   1350   1380   1400   1300           |
| Halogen Equivalent         | 120 W   |
| Trim Slope Angle           | 30°   |
| Beam Angle                 | standard 38°   custom 15°, 24°, 60°               |
| CRI                        | 90 +  |
| Default Driver Input       | 120V AC Triac Dimmable                            |
| Optional Driver Input      | 120V-347V AC 0-10V Dimmable                       |
| Junction Box Wire Capacity | Max 5 No 12 AWG or 8 No 14 AWG                    |
| Power Factor               | 0.95  |
| Approved Location          | Insulated Ceiling & Wet Locations                 |
| IP Rating                  | IP 54   |
| Air Tight                  | Yes   |
| Ambient Temperature        | -40°F (-40°C) to +104°F (+40°C)                   |
| Projected Life             | 70% Light Output at 50,000 Hours                  |
| Certification              | cULus   |
| Warranty                   | 10 Year Residential / 5 Year Commercial           |



120V TRIAC Dimmable  
Driver Included



Optional 120V-347V  
Driver 0-10V Dimmable  
Order Separately as  
[model # LLL-LD1535T3](#)

### ORDERING GUIDE

Standard Beam Angle: **38°**

| Model              | Beam                | Options                                |
|--------------------|---------------------|--|
| LD3S-5CCT-5SSL-WH  | leave blank for 38° | <a href="#">5CCT White Trim</a>        |
| LD3S-3018K-5SSL-WH | -15D 15°            | <a href="#">Dim to Warm White Trim</a> |
| LD3S-5CCT-5SSL-BK  | -24D 24°            | <a href="#">5CCT Black Trim</a>        |
| LD3S-3018K-5SSL-BK | -60D 60°            | <a href="#">Dim to Warm Black Trim</a> |



### AVAILABLE TRIMS



White



Black

### ACCESSORIES

Sold Separately



Low Voltage Extension Cables. Max 40 ft Allowed  
[6ft - model # EXC6](#)  
[20ft - model # EXC20](#)



[Flat Rough-In Plates - model # RIP5](#)



[Flanged Plate with Hanger Bars model # FRP412](#)

Emergency Driver 8W 120-347V input  
[model # BLD-HM08D-YYY](#)

### COMPLIANCE



Type IC & Air-Tight  
Wet Location

Lotus LED Lights USA  
250 H Street # 301, Blaine WA 98230 tel 360-200-5500  
Hainesport NJ, Naples FL, Vancouver WA

[www.LotusLEDLights.com](http://www.LotusLEDLights.com)  
mailing addresses  
warehouses

Lotus LED Lights CANADA  
1080 Cliveden Ave # 6, Delta BC V3M 6J6 tel 604-538-3090  
Delta BC & Mississauga ON