



**LL2G**

**2" Eyeball Round Recessed Gimbal LED 5W**



**Type IC, Wet & Air-Tight**

Project: \_\_\_\_\_

Location: \_\_\_\_\_

Model #: \_\_\_\_\_ Qty: \_\_\_\_\_

Notes: \_\_\_\_\_

**DESCRIPTION**

2" Eyeball Round Recessed Gimbal LED  
 With Integral Driver In Connection Box  
 Unique & Patented Design:  
 Gimbal Yet Air-Tight Without Housing Needed

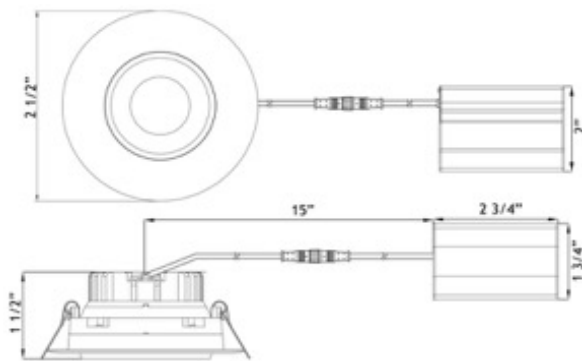
**FEATURES & BENEFITS**

1 1/2" Deep - Install Where Ceiling Space Is Limited  
 Type IC Rated - No Housing Required  
 Fast & Easy To Install - Save On Labor  
 Driver Inside Connection Box - No Junction Box Needed  
 Directional Beam - Great for Sloped Ceilings and Artwork  
 CRI 90+ for True Color Rendering

**MOUNTING**

Cut Hole In Ceiling And Snap Fixture In Opening  
 With Attached Spring Clips  
 Ceiling Clearance Required:  
 1 1/2" With Driver Remotely Installed  
 5" When Driver Is Next To The Fixture

**DIMENSIONS:** ID 2" OD 2 1/2" Cut Out 2 1/8"



SPECIFICATION	
Applications	Cabinets, Recessed Alcoves, Slopped Ceilings
Energy Used	5 W
Color Temperature (K)	2700   3000   4100
Light Output (lm)	380   400   430
Beam Angle	24° Beam with 20° tilt and 360° rotation
CRI	90 +
Driver Input	120V AC
Dimmability	Triac Dimmable to 10%
Power Factor	0.95
Junction Box Wire Capacity	Maximum of 3 No 12 AWG
Approved Location	Insulated Ceiling & Wet Locations
IP Rating	IP 54
Air Tight	Yes
Ambient Temperature	-40°F (-40°C) to +104°F (+40°C)
Projected Life	70% Light Output at 50,000 Hours
Certification	cULus Energy Star T24
Warranty	10 Year Residential / 5 Year Commercial

**AVAILABLE TRIMS**



White



Black



Brushed Nickel

120V TRIAC Dimmable Driver Included



Cut out needed for driver: 2 1/8"

**ACCESSORIES**

Sold Separately



Low Voltage Extension Cables. Max 40 ft Allowed  
[6ft - model # EXC6](#)  
[20ft - model # EXC20](#)



[Rough-In Plates - model # RIP2](#)

**ORDERING GUIDE**

Example 3000K WH **LL2G-30K-WH**

	CCT	Trim Finish	
<b>LL2G</b>	- xxK	- xx	
2700K	- 27K	- WH	White
3000K	- 30K	- BK	Black
4100K	- 41K	- BN	Brushed Nickel

**COMPLIANCE**



**Type IC  
 Air-Tight  
 Wet Location**

USA Patent # US 10,344,952 B2 | Canada Patent # 2,967,954