



Type IC, Wet & Air-Tight

LRG2

2" Round Regressed Gimbal LED 5W

Project: _____

Location: _____

Model #: _____ Qty: _____

Notes: _____

DESCRIPTION

2" Round Regressed Gimbal LED
 With Integral Driver In Connection Box
 Unique & Patented Design:
 Gimbal Yet Air-Tight Without Housing Needed

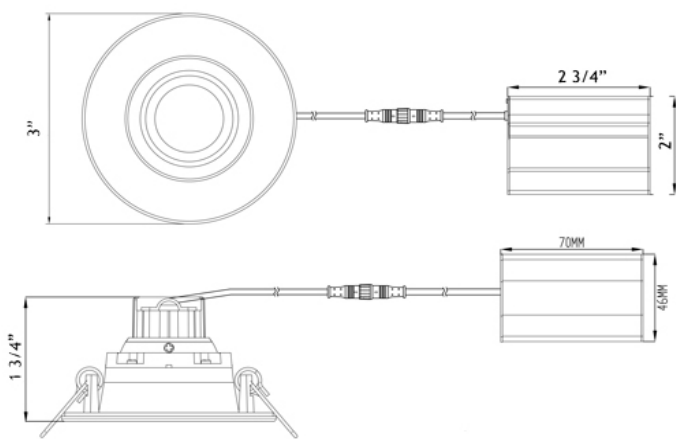
FEATURES & BENEFITS

1 3/4" Deep - Install Where Ceiling Space Is Limited
 Type IC Rated - No Housing Required
 Fast & Easy To Install - Save On Labor
 Driver Inside Connection Box - No Junction Box Needed
 Directional Beam - Great for Sloped Ceilings and Artwork
 CRI 90+ for True Color Rendering

MOUNTING

Cut Hole In Ceiling And Snap Fixture In Opening
 With Attached Spring Clips
 Ceiling Clearance Required:
 1 1/2" With Driver Remotely Installed
 5" When Driver Is Next To The Fixture

DIMENSIONS: ID 2 1/2" OD 3" Cut Out 2 1/2" to 2 3/4"



ORDERING GUIDE

Example 3000K WH **LRG2-30K-WH**

	CCT	Trim Finish	
LRG2	- xxK	- xx	
2700K	- 27K	- WH	White
3000K	- 30K	- BK	Black
4100K	- 41K		

SPECIFICATION	
Applications	Cabinets, Recessed Alcoves, Slopped Ceilings
Energy Used	5 W
Color Temperature (K)	2700 3000 4100
Light Output (lm)	380 400 430
Beam Angle	24° Beam with 20° tilt and 360° rotation
CRI	90 +
Driver Input	120V AC
Dimmability	Triac Dimmable to 10%
Power Factor	0.95
Junction Box Wire Capacity	Maximum of 3 No 12 AWG
Approved Location	Insulated Ceiling & Wet Locations
IP Rating	IP 54
Air Tight	Yes
Ambient Temperature	-40°F (-40°C) to +104°F (+40°C)
Projected Life	70% Light Output at 50,000 Hours
Certification	cULus
Warranty	10 Year Residential / 5 Year Commercial

AVAILABLE TRIMS



White



Black

120V TRIAC Dimmable Driver Included



ACCESSORIES

Sold Separately

Low Voltage Extension Cables. Max 40 ft Allowed

[6ft - model # EXC6](#)

[20ft - model # EXC20](#)



[Flanged Mounting Plate with bars model FRP212](#)



[Rough-In Plates - model # RIP212](#)



[Goof Ring OD 4 1/2" White GR3 Black GR3-BK](#)

COMPLIANCE



**Type IC
 Air-Tight
 Wet Location**

USA Patent # US 10,344,952 B2 | Canada Patent # 2,967,954

Lotus LED Lights USA
 250 H Street # 301, Blaine WA 98230 tel 360-200-5500
 Hainesport NJ, Naples FL, Dallas TX, Vancouver WA

www.LotusLEDLights.com

mailing addresses
 warehouses

Lotus LED Lights CANADA
 702 Chester Rd, Delta BC V3M 6J1 tel 604-538-3090
 Delta BC & Mississauga ON