



**Type IC, Wet & Air-Tight**

**DESCRIPTION**

6" Round Regressed Gimbal LED High Output 18W with Integral Driver In Connection Box  
Adjustable Yet Air-Tight Without Housing Needed

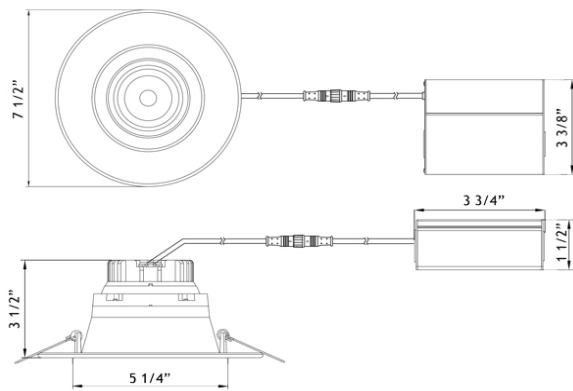
**FEATURES & BENEFITS**

3 1/2" Deep - Install Where Ceiling Space Is Limited  
Type IC Rated - No Housing Required  
Driver Inside Connection Box - No Junction Box Needed  
Directional Beam - Great for Sloped Ceilings and Artwork  
CRI 90+ for True Color Rendering  
Available in single CCT, Dim to Warm 30-20K & 30-18K, & 5CCT

**MOUNTING**

Cut Hole In Ceiling And Snap Fixture In Opening With Attached Spring Clips. Ceiling Clearance Required: 3 1/2"

**DIMENSIONS:** ID 5 1/4" OD 7 1/2" Cut Out 5 1/4" to 6"



**AVAILABLE TRIMS**



**ORDERING GUIDE** Example **LRG6-30K-HO-WH**

LRG6	CCT		Trim Finish	
	- xxK	- HO	- xx	
2700K	<b>27K</b>		<b>WH</b>	<a href="#">White</a>
3000K	<b>30K</b>		<b>BK</b>	<a href="#">Black</a>
3500K	<b>35K</b>		<b>ORB</b>	<a href="#">Oil Rubbed Bronze</a>
4000K	<b>40K</b>			
5000K	<b>50K</b>			
DTW 30K-20K	<b>32K</b>	Dim to Warm 3000K to 2000K		
DTW 30K-18K	<b>3018K</b>	Dim to Warm 3000K to 1800K		
5CCT	<b>5CCT</b>	User selectable 27-30-35-40-50K		

**LRG6-HO**

**6" Round Regressed Gimbal LED High Output 18W**

Project: \_\_\_\_\_  
 Location: \_\_\_\_\_  
 Model #: \_\_\_\_\_ Qty: \_\_\_\_\_  
 Notes: \_\_\_\_\_

SPECIFICATION	
Applications	Sloped Ceilings up to 20°, General Lighting
Energy Used	18 W
Color Temperature (K)	2700   3000   3500   4100   5000   DTW 30-20   DTW 30-18
Light Output (lm)	1500   1550   1600   1650   1700   1150   1250
Beam Angle	38° wide beam with 20° tilt and 360° rotation
CRI	90 +
Default Driver Input	120V AC Triac Dimmable
Optional Driver Input	120V-347V AC 0-10V Dimmable
Junction Box Wire Capacity	Max 5 No 12 AWG or 8 No 14 AWG
Power Factor	0.95
Approved Location	Insulated Ceiling & Wet Locations
IP Rating	IP 54
Air Tight	Yes
Ambient Temperature	-40°F (-40°C) to +104°F (+40°C)
Projected Life	70% Light Output at 50,000 Hours
Certification	cULus, Energy Star (except DTW & 5CCT), T24
Warranty	10 Year Residential / 5 Year Commercial

120V TRIAC Dimmable Driver Included

Optional 120V - 347V Driver  
0-10V Dimmable



[model # LLL-LD2050T](#)

**ACCESSORIES**

Sold Separately

Low Voltage Extension Cables. Max 40 ft Allowed



[6ft - model # EXC6](#)  
[20ft - model # EXC20](#)



[13" Mounting Plate Flat model # MP6-2](#)



[26" Flat Rough-In Plates model # RIP6](#)



[Flanged Plate with Hanger Bars - model # FRP6](#)

**COMPLIANCE**



**Type IC  
Air-Tight  
Wet Location**

USA Patent # US 10,344,952 B2 | Canada Patent # 2,967,954

<b>Lotus LED Lights USA</b> 250 H Street # 301, Blaine WA 98230 tel 360-200-5500 Hainesport NJ, Naples FL, Vancouver WA	<a href="http://www.LotusLEDLights.com">www.LotusLEDLights.com</a> mailing addresses warehouses	<b>Lotus LED Lights CANADA</b> 702 Chester Rd, Delta BC V3M 6J1 tel 604-538-3090 Delta BC & Mississauga ON
---	---	--