



# LSG2



**Type IC, Wet & Air-Tight**

## 2" Square Regressed Gimbal LED 5W

Project: \_\_\_\_\_

Location: \_\_\_\_\_

Model #: \_\_\_\_\_ Qty: \_\_\_\_\_

Notes: \_\_\_\_\_

### DESCRIPTION

2" Square Regressed Gimbal LED  
 With Integral Driver In Connection Box  
 Unique & Patented Design:  
 Gimbal Yet Air-Tight Without Housing Needed

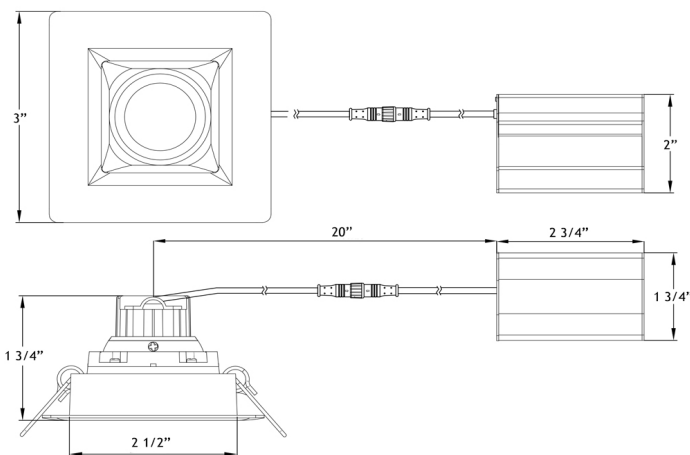
### FEATURES & BENEFITS

1 3/4" Deep - Install Where Ceiling Space Is Limited  
 Type IC Rated - No Housing Required  
 Fast & Easy To Install - Save On Labor  
 Driver Inside Connection Box - No Junction Box Needed  
 Directional Beam - Great for Sloped Ceilings and Artwork  
 CRI 90+ for True Color Rendering

### MOUNTING

Cut Hole In Ceiling And Snap Fixture In Opening  
 With Attached Spring Clips  
 Ceiling Clearance Required:  
 1 1/2" With Driver Remotely Installed  
 5" When Driver Is Next To The Fixture

**DIMENSIONS:** ID 2 1/2" OD 3" SQ Cut Out 2 1/2" to 2 3/4"



SPECIFICATION	
Applications	Cabinets, Recessed Alcoves, Slopped Ceilings
Energy Used	5 W
Color Temperature (K)	2700   3000   4100
Light Output (lm)	380   400   430
Beam Angle	24° Beam with 20° tilt and 360° rotation
CRI	90 +
Driver Input	120V AC
Dimmability	Triac Dimmable to 10%
Power Factor	0.95
Junction Box Wire Capacity	Maximum of 3 No 12 AWG
Approved Location	Insulated Ceiling & Wet Locations
IP Rating	IP 54
Air Tight	Yes
Ambient Temperature	-40°F (-40°C) to +104°F (+40°C)
Projected Life	70% Light Output at 50,000 Hours
Certification	cULus Energy Star T24
Warranty	10 Year Residential / 5 Year Commercial

### AVAILABLE TRIMS



White



Black

120V TRIAC Dimmable Driver Included



### ACCESSORIES

Sold Separately

Low Voltage Extension Cables. Max 40 ft Allowed



[6ft - model # EXC6](#)

[20ft - model # EXC20](#)



[Flanged Mounting Plate with bars model FRP212](#)



[Rough-In Plates - model # RIP212](#)

### ORDERING GUIDE

Example 3000K WH **LSG2-30K-WH**

	CCT	Trim Finish	
<b>LSG2</b>	<b>- xxK</b>	<b>- xx</b>	
2700K	- 27K	- WH	White
3000K	- 30K	- BK	Black
4100K	- 41K		

### COMPLIANCE



**Type IC  
 Air-Tight  
 Wet Location**

USA Patent # US 10,344,952 B2 | Canada Patent # 2,967,954

### Lotus LED Lights USA

250 H Street # 301, Blaine WA 98230 tel 360-200-5500  
 Hainesport NJ, Naples FL, Dallas TX, Vancouver WA

[www.LotusLEDLights.com](http://www.LotusLEDLights.com)

mailing addresses  
 warehouses

### Lotus LED Lights CANADA

702 Chester Rd, Delta BC V3M 6J1 tel 604-538-3090  
 Delta BC & Mississauga ON