

**RIP4****26" Flat Rough-In Plate for 4" models**

Project: \_\_\_\_\_

Location: \_\_\_\_\_

Qty: \_\_\_\_\_

Notes: \_\_\_\_\_

DESCRIPTION

Rough-in plate for new construction pre-mounting of 4" recessed fixtures

FEATURES

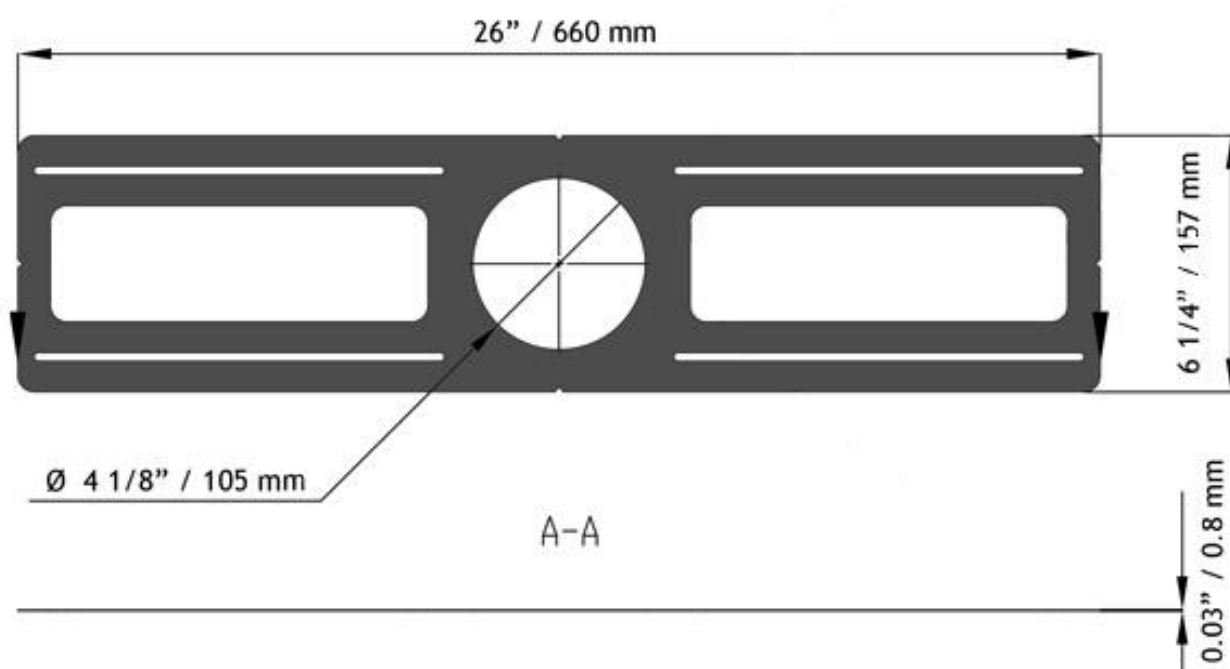
Made from galvanized steel, 26" long to fit joists up to 24" apart.

Hole diameter 4 1/8"

Plate has alignment notches

MOUNTING

Fix the plate with screws (not supplied) through the mounting slots

COMPATIBLE FIXTURES[LB4R](#)[LB4R24V](#)[LL4G](#)[LL4G-HO](#)[LL4RR](#)[LL4SR](#)[LD4R](#)[LD4R-HO](#)[LD4R-CPL](#)[LD4R-HO-CPL](#)[LD4S](#)[LD4S-HO](#)[AD-LED-4-S12W-LREY](#)[AD-LED-4-S12W-LREY-SQ](#)[LED-4-S9W-FG](#)[LY4RCS](#)[LY41RCD](#)[LY4S](#)[LL4S](#)[LB4S/24V](#)[JXL-COB04-R15W-CCT](#)[JXL-COB04-S15W-CCT](#)[LSG3-HO-IT](#)ORDERING GUIDEmodel # **RIP4****Lotus LED Lights USA**250 H Street # 301, Blaine WA 98230 tel 360-200-5500  
Hainesport NJ, Naples FL, Vancouver WA[www.LotusLEDLights.com](http://www.LotusLEDLights.com)mailing addresses  
warehouses**Lotus LED Lights CANADA**1080 Cliveden Ave # 6, Delta BC V3M 6G6 tel 604-538-3090  
Delta BC & Mississauga ON