

IMPORTANT SAFETY INSTRUCTIONS SAVE THESE INSTRUCTIONS

Instructions pertaining to a risk of fire, electric shock or injury to persons.

-WARNING- Installation must be done according to local electrical codes.
Installation should be done by a certified electrician.

INSTRUCTIONS IMPORTANTES DE SÉCURITÉ GARDER CES INSTRUCTIONS

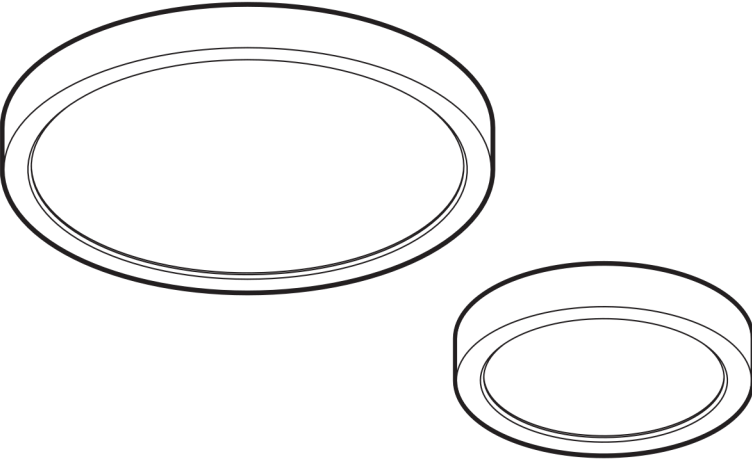
Ces instructions se rapportent à un risque d'incendie, de chocs électriques ou de blessures corporelles.

-ATTENTION- L'installation doit être effectuée conformément au codes électriques locaux.
L'installation devrait être effectuée par un électricien qualifié.



**ROUND LED FLUSHMOUNT
PLAFONNIER ROND DEL**

	Lumens per fixture Nombre de lumen par luminaire	Total consumption Consommation totale	Light color Couleur de la lumière
ADS12R-XXK-WH	1400Lm	22W	3000K 4000K



Integrated driver is dimmable with most regular dimmers (Low voltage electronic dimmer suggested)
For best dimmability see compatible dimmer list.
Dimming range up to: 10%-100%.

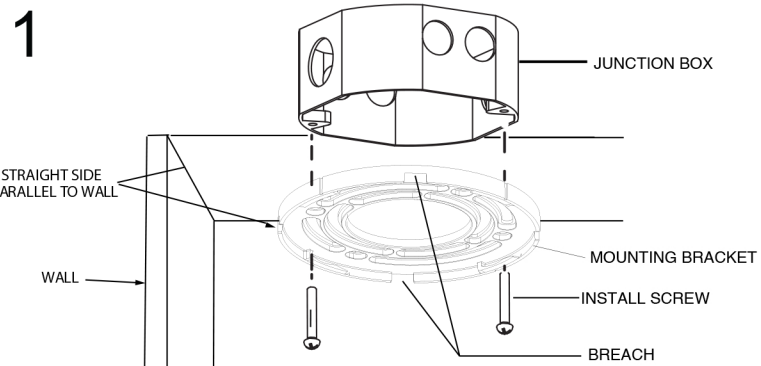
Le transformateur intégré est graduable avec la plupart des gradateurs (Gradateur électronique bas voltage recommandé) Pour une gradation optimale, veuillez voir la liste de gradateur compatible.
Plage de gradation jusqu'à: 10%-100%.



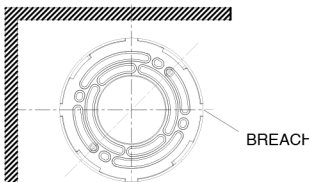
instructions before installation / Instructions avant installation

WARNING - BEFORE STARTING INSTALLATION, SHUT THE LINE FEED POWER OFF USING THE CIRCUIT BREAKER. - WARNING
ATTENTION - AVANT DE DÉBUTER L'INSTALLATION, COUPER L'ALIMENTATION DU FIL DU SECTEUR À L'AIDE DU DISJONCTEUR. - ATTENTION

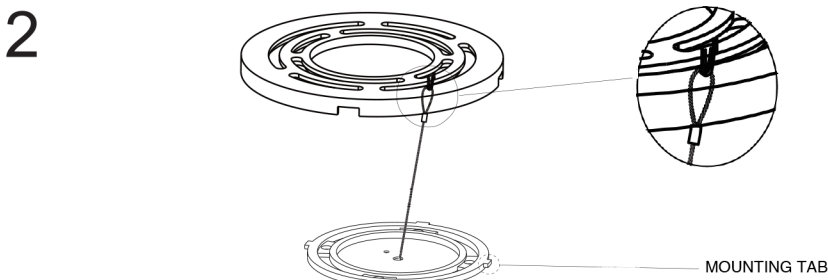
Installation instructions / Instructions d'installation



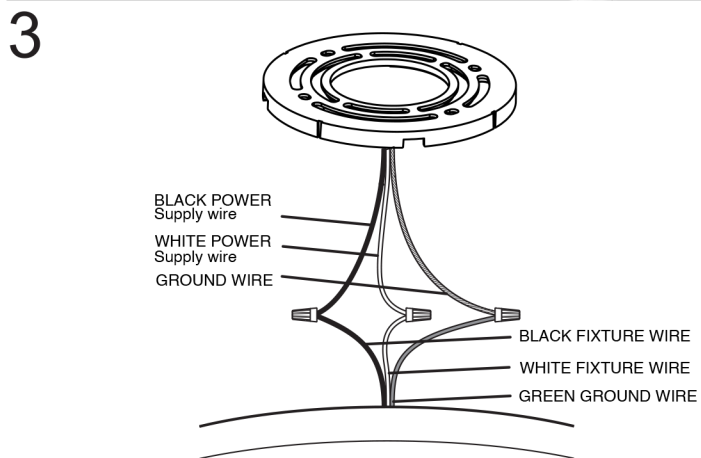
After installation



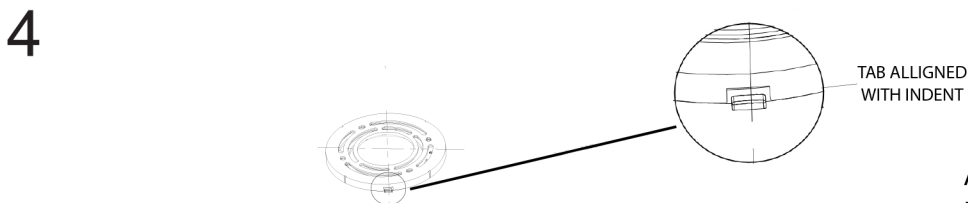
Hold Mounting Bracket up to junction box with flange facing down. Align breach side of the Mounting Bracket parallel to nearest wall. Screws mounting bracket to j-box.



Before working wire connections, attach to hook side of safety cable on Mounting Bracket.



With the power turned off, Connect the green groundwire from the fixture to the bare copper groundwire from the junction box using a wirenut (If house wiring does not include a ground wire, consult it your local electrical code for approved grounding methods) Use Wirenuts to connect black fixture wire to the black power supply wire and white fixture wire to the white power supply wire.



Attach provided to indents (opening) of the Mounting Bracket and align mounting tabs on back of the fixture with indents in the Mounting Bracket.



Using sticker on the fixture (reference point for mounting tab) and on the ceiling as reference point, lift fixture up to the ceiling and rotate clockwise until fixture is secured (45-degree turn until it locks).