

Low Profile LED Up and Down Wall Sconce

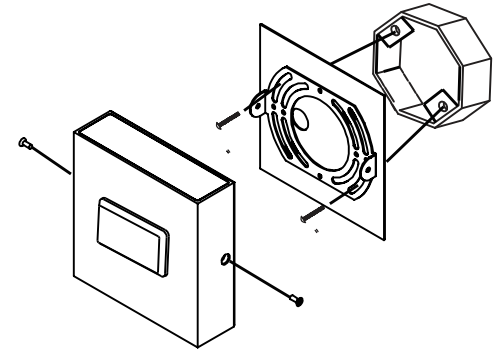
PLEASE READ CAREFULLY AND SAVE THESE INSTRUCTIONS, AS YOU MAY NEED THEM AT A LATER DATE.

CAUTION

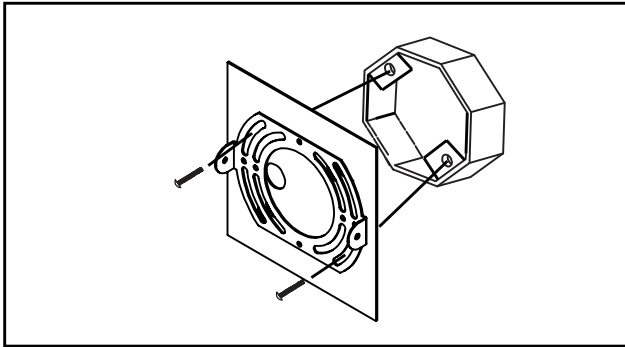
1. **TURN OFF ELECTRICAL POWER BEFORE STARTING INSTALLATION OF LIGHT FIXTURE.**
2. THIS PRODUCT MUST BE INSTALLED IN ACCORDANCE WITH THE APPLICABLE INSTALLATION CODE BY A PERSON FAMILIAR WITH THE CONSTRUCTION AND OPERATION OF THE PRODUCT AND THE HAZARDS INVOLVED.
3. **CAUTION, RISK OF FIRE.** CONSULT A QUALIFIED ELECTRICIAN TO ENSURE CORRECT BRANCH CIRCUIT CONDUCTOR.
4. FOR EXTERNAL USE ONLY, RECOMMEND APPLYING WATERPROOF SILICONE TO SEAL AROUND TRIM AND CEILING.

GENERAL

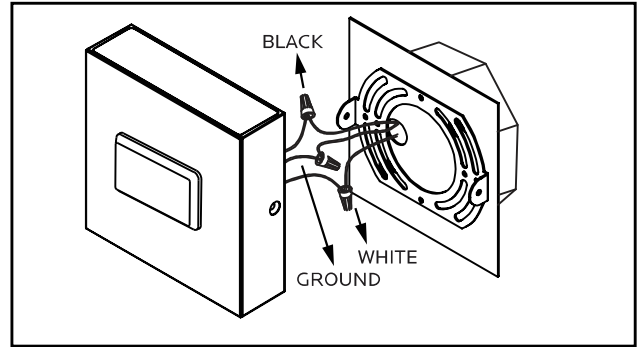
ALL ELECTRICAL CONNECTIONS MUST BE IN ACCORDANCE WITH LOCAL AND NATIONAL ELECTRICAL CODE (N.E.C.) STANDARDS. IF YOU ARE UNFAMILIAR WITH PROPER ELECTRICAL WIRING CONNECTIONS, PLEASE HIRE A QUALIFIED ELECTRICIAN. REMOVE THE FIXTURE AND ITS COMPONENTS FROM THE BOX AND MAKE SURE THAT NO PARTS ARE MISSING.



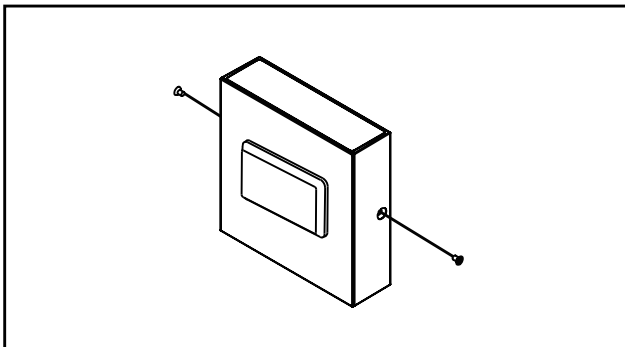
INSTRUCTIONS



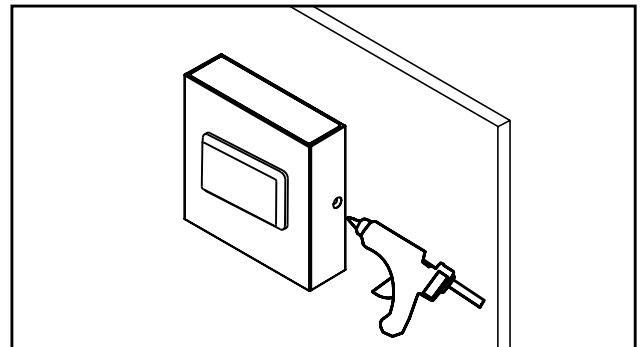
1. PRIOR TO INSTALLATION, INSTALL MOUNTING PLATE (INCLUDED) INTO THE ELECTRICAL BOX WITH MOUNTING SCREWS (INCLUDED). DRIVE SCREWS COMPLETELY TO THE END OF THE JUNCTION BOX.



2. CONNECT SUPPLY WIRES TO WIRES ON FIXTURE WITH WIRE NUTS (INCLUDED). CONNECT WHITE TO WHITE, BLACK TO BLACK, AND COPPER WIRE TO GREEN WIRE AS A GROUNDING CONNECTION.



3. CAREFULLY TUCK ALL WIRES BACK INTO THE JUNCTION BOX. PUT THE WALL SCONCE OVER THE MOUNTING PLATE AND MATCH THE MOUNTING HOLES ON THE PLATE AND THE SCONCE.



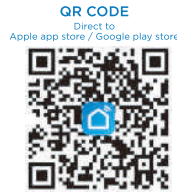
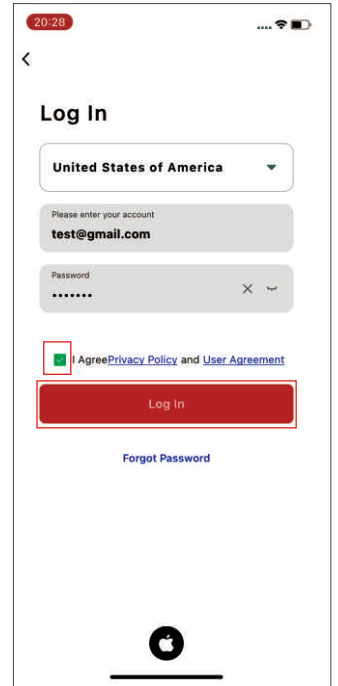
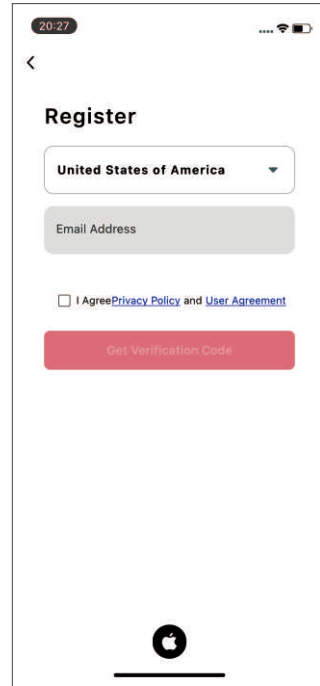
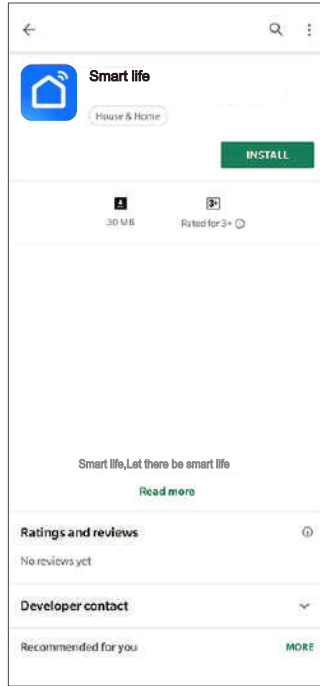
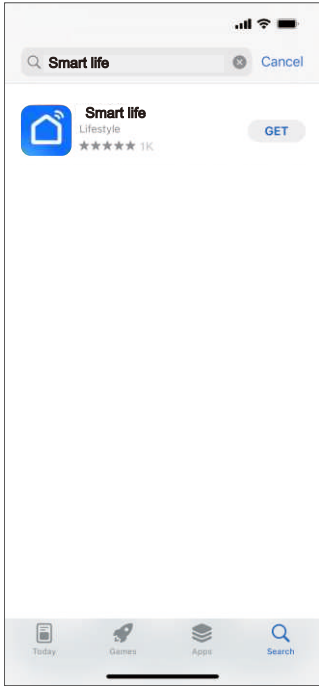
4. THEN DRIVE SCREWS COMPLETELY TO SECURE AND COMPLETE INSTALLATION. USE WATERPROOF SILICONE TO SEAL BETWEEN THE EDGES AND THE FIXTURE.



Install the Smart life APP

1. Find and install the Smart life app on Apple Store, Google Play.

2. Register a Smart life account.

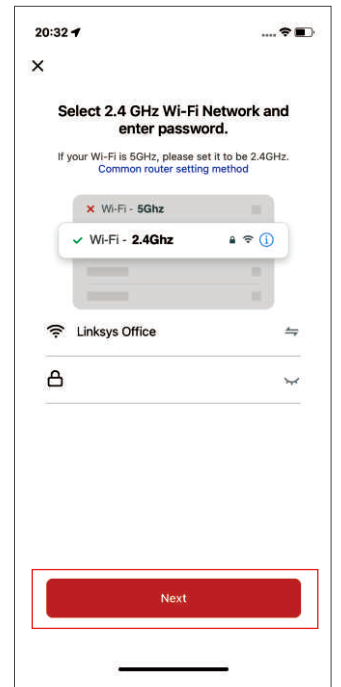
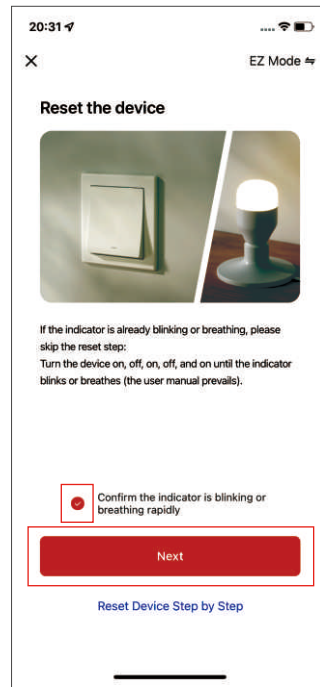
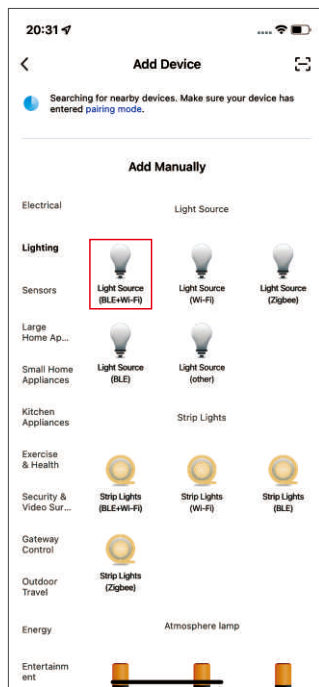
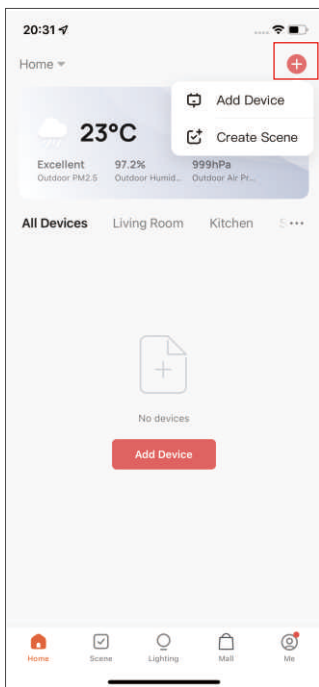


Enter your mobile phone number or email address.

Log into the App.

Note: Please select your region and country.

3. Connect: Easy Mode.



STEP 1

Open the Smart life App. In the top corner of the Devices screen, click (+) the Home, click "+" and "Add Device".

STEP 2

Choose Lighting >> Light Source (BLE+Wi-Fi) Select upper right corner "EZ Mode".

STEP 3

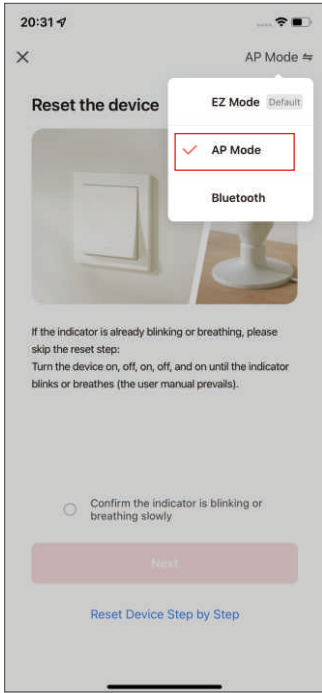
Make sure light rapidly flashing white. If not, reset to reach Easy Mode to connect press "Next" in the App.

STEP 4

Enter your WiFi network and password.

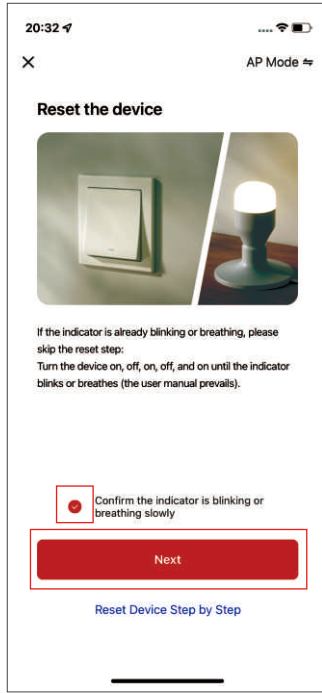
NOTE: Smart life can't connect to 5GHz networks. *If the connection fails try to connect using AP Mode

4. Connect:AP Mode



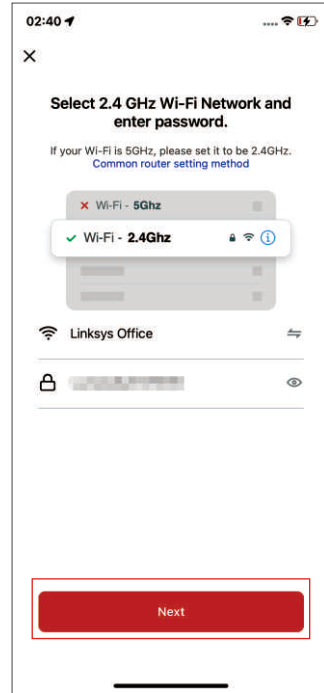
STEP 1

Open the Smart life App. In the top corner of the Home, click "+" choose "Light Source (BLE+Wi-Fi)". select upper right corner "AP Mode".



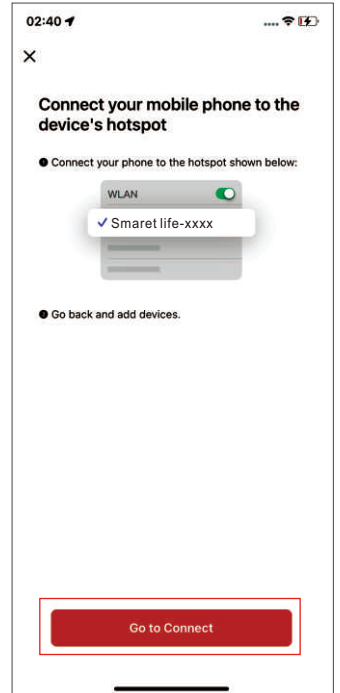
STEP 2

Make sure light is slowly flashing white. If not, reset to reach AP Mode.



STEP 3

Enter your WiFi network and password.



STEP 4

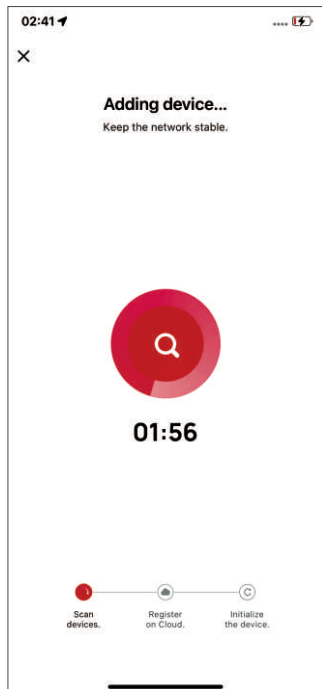
Press "Next" and enter your Wi-Fi details.

5. Connect:Bluetooth



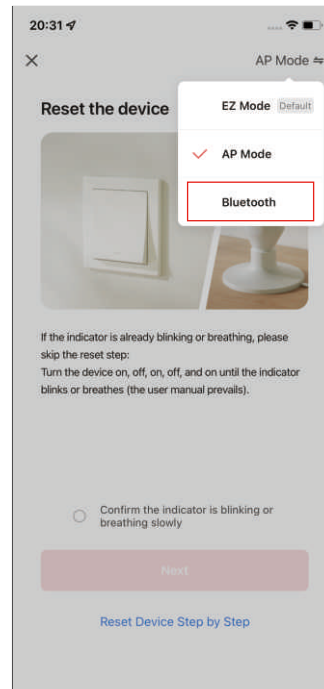
STEP 5

Follow the instructions to choose the device from your Wi-Fi list.



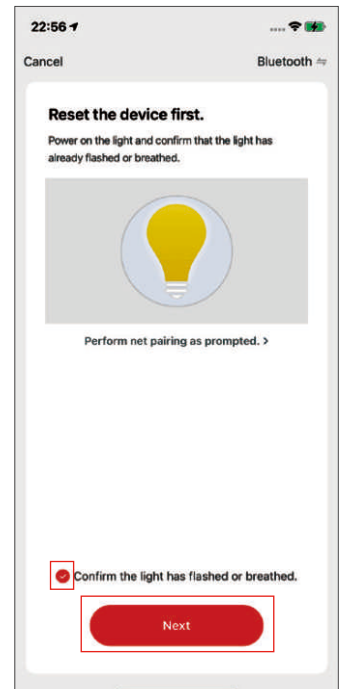
STEP 6

The Smart life App will connect to your devices.



STEP 1

Open the Smart life App. In the top corner of the Devices screen, click "+". Choose "Light Source (BLE+Wi-Fi)". Select upper right corner "Bluetooth".



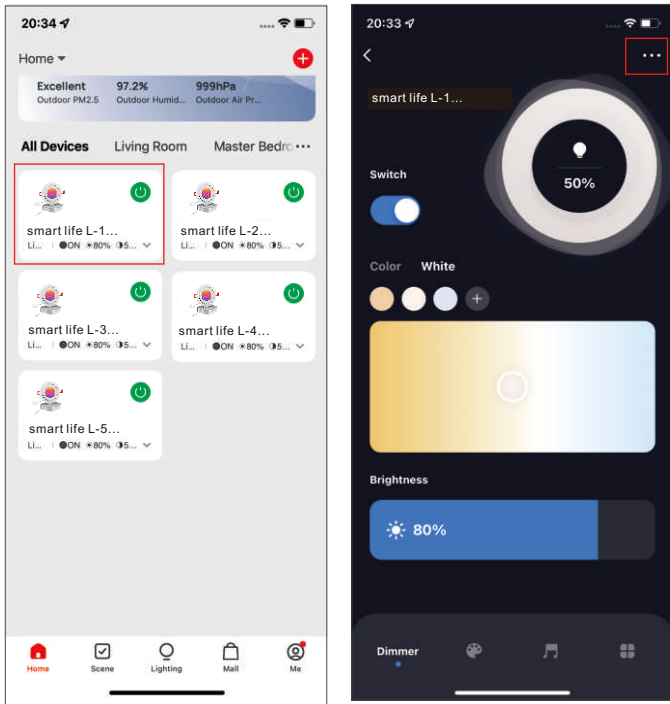
STEP 2

Make sure light is rapidly flashing white. If not, reset to reach Easy Mode to connect. Press "Next" in the App.

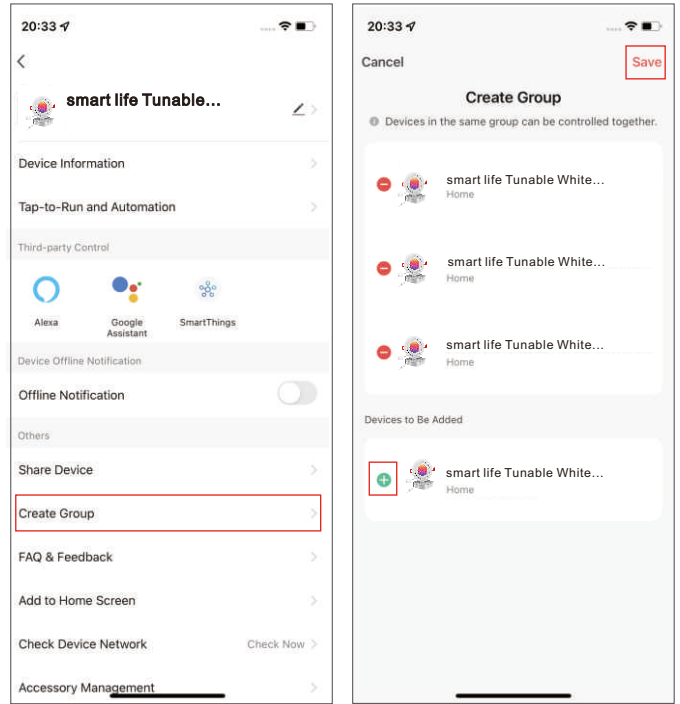
NOTE: Smart life can't connect to 5GHz networks.
*If the connection fails try to connect using AP Mode

Group Control

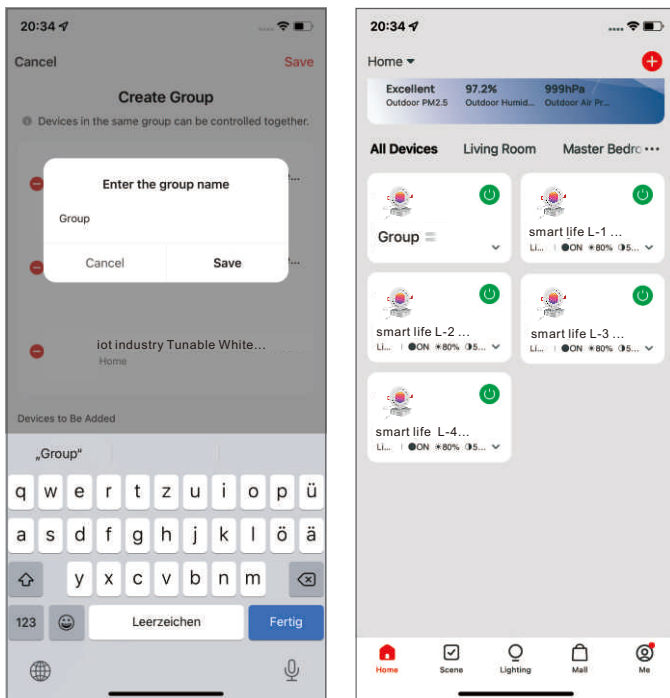
1. Log in to Smart life APP, tap the smart device and enter into, click "⋮" in the top right corner.



2. Click "Create Group", then select a device and save.



3. You can reset the group name and save it, and the group can control devices.



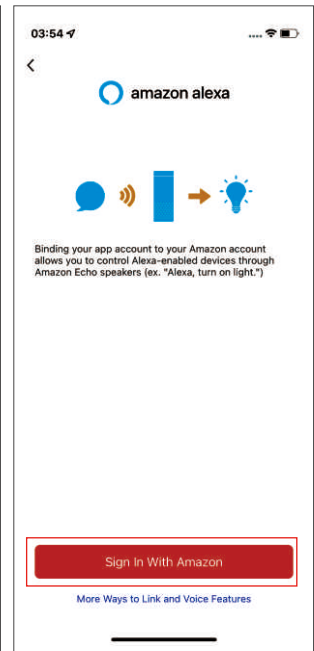
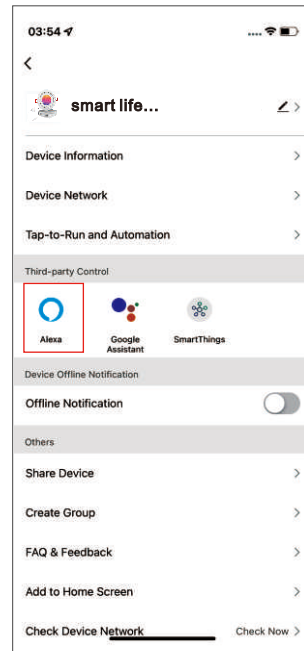
VOICE CONTROL GUIDE

Name and Control Each Device by Voice



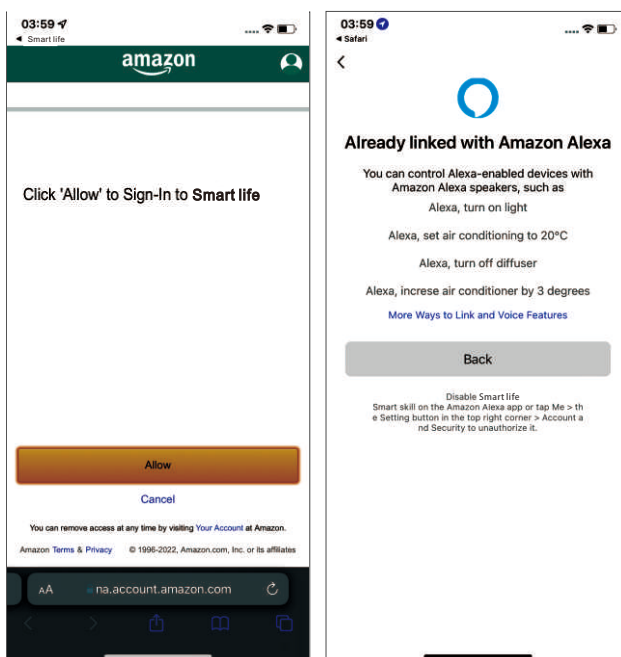
Voice Control Quick Guide for Amazon Alexa

1. Log in to Smart life APP, tap the smart device and enter into, click "✎" in the top right corner.
2. Tap "Alexa" in Third-party Control.
3. Tap "Sign In With Amazon".



4. Tap "Allow";

5. Linked successfully, when add new device, there is no need to link again, just discover new device in Alexa.



To control your Smart life device, just ask Alexa.

Make sure your devices are already set up using the Smart life app.

Things you can say*:

"Alexa, discover my devices."

"Alexa, turn on the bedroom light."

"Alexa, set the bedroom light to orange."

"Alexa, turn off the coffee machine."

"Alexa, set the living room to 50%."

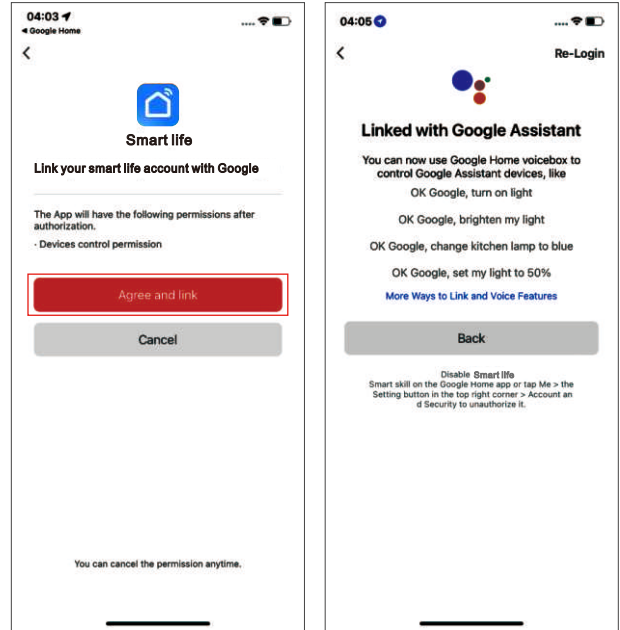
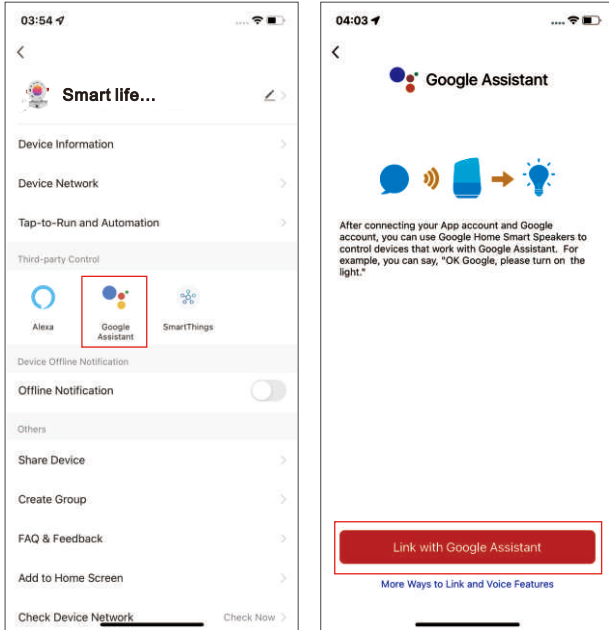
"Alexa, dim porch light."

*Some commands require compatible devices.

Voice Control Quick Guide for Google Assistant

1. Log in to Smart life app, tap the smart device and enter into, click "✎" in the top right corner.
2. Tap "Google Assistant" in Third-party Control.
3. Tap "Link with Google Assistant".

4. Click "Agree and link";
5. Linked successfully, when add new device, there is no need to link again, just discover new device in Google Home.



To control your Smart life smart device, just say "Hey Google", and ask.

Make sure your devices are already set up using the Smart life app.

Things you can say*:

"Hey Google, turn on all the lights in my bedroom."

"Hey Google, turn off the light."

"Hey Google, set the bedroom light to orange."

"Hey Google, turn off the coffee machine."

"Hey Google, set the living room to 50%."

"Hey Google, dim porch light."

*Some commands require compatible devices.