



Kinetic Switch for dimmer ERC111 / switch ERC112

Project: _____

Location: _____

Qty: _____

Notes: _____

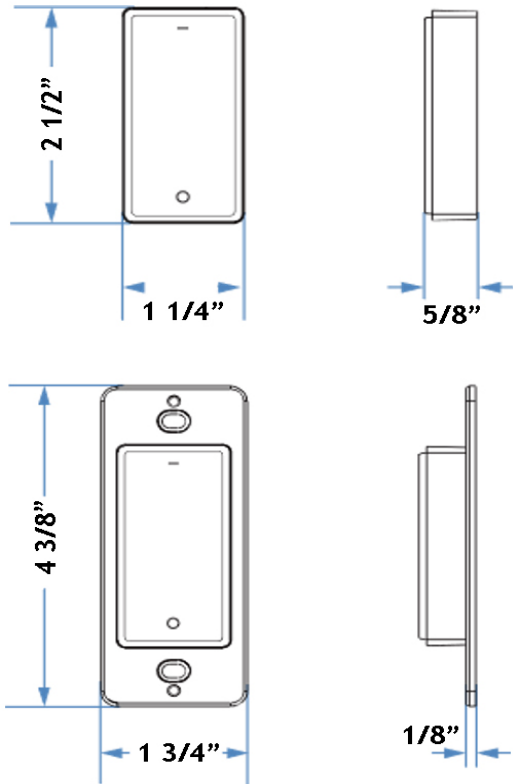
DESCRIPTION

Kinetic switch for remote control of Light by Lotus smart dimmer ERC111 and smart switch ERC112

FEATURES & BENEFITS

- No Wiring & No Batteries needed
- Can be installed on any flat surface
- Pair up to 10 kinetic switches to one smart dimmer ERC111 or smart switch ERC112
- Short push for turn on / off
- Press and hold to smoothly dim up or down
- Magnetic mounting plate is included

SPECIFICATION	
Approved Location	Indoor / dry locations
Wireless Communication	RF 902 MHz
Operating Distance	100 ft (30m) indoor
	160 ft (50m) outdoor
Pairing Capacity	maximum of 10 switches to 1 dimmer
Operating Temperature	-15°C to + 45°C (5°F to 113°F)
Certification	FCC
Warranty	3 Year



Top button:
 - short push to turn on full brightness
 - long press to increase brightness

Bottom button:
 - short push to turn off
 - long press to decrease brightness



Magnetic mounting plate included

ORDERING GUIDE

model **EU1254**

Decora wall plate not included

Available in White only

