

# FR-LED-4-S9W-5CCT-FG

## 4" Round Fire Rated Floating Gimbal Recessed LED 5CCT 9W

Project: \_\_\_\_\_

Location: \_\_\_\_\_

Qty: \_\_\_\_\_

Notes: \_\_\_\_\_

### DESCRIPTION

4" Round Fire Rated Floating Gimbal Recessed LED

**The First Fully Adjustable Fire Rated Lighting Fixture**



**2 HOUR FIRE RATING**  
Tested to comply with UL 263,  
ASTM E119 & CAN ULC S101

### FEATURES & BENEFITS

**2 Hour Fire Rated** without additional housing or hardware

**Heat Resistant Steel Casing** provides up to 2 Hour Fire Protection

**Heavy Duty Steel Spring Clips** for easy installation

**1" Spring Height** for installations on up to 2 x 5/8" drywall

**Plenum Rated Cable** for Commercial Installations

**Type IC, Damp Location & Air-Tight Rated**

Beam options: **38°** (standard), **24°** & **60°** available as adder

**1 1/2" Thin** - Install in Limited Ceiling Spaces

**Driver Inside Connection Box** - No Junction Box Needed

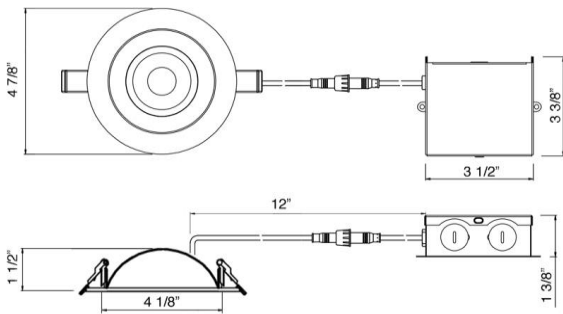
**5 CCT** User Selectable Light Colors with **CRI 90+**

**DIMENSIONS** ID 4 1/8" OD 4 7/8" Cut Out 4 1/4"

Fixture Thickness: 1 1/2"

120V Triac Dimmable Driver Included

5CCT switch on the driver



SPECIFICATION	
Applications	Multi-Family Residential, Basements & Commercial
Energy Used	9 W
Color Temperature (K)	2700 - 3000 - 3500 - 4000 - 5000
Light Output (lm)	680 - 720 - 775 - 800 - 800
Halogen Equivalent	75 W
Beam Angle	38° (standard), 24° & 60° available as adder
CRI	90+
Driver Input	120V AC 50/60 Hz
Dimming	TRIAC Dimmers 10% - 100%
Junction Box Volume	9.69 cubic inches / Max 5 No 12 AWG or 8 No 14 AWG
Approved Location	Insulated Ceiling & Damp Locations
Cable	FT6 / CMP Plenum Rated
Air Tight & Type IC	Yes
Ambient Temperature	-4°F (-20°C) to +104°F (+40°C)
Projected Life	70% Light Output at 50,000 Hours
Certification	cETLus
Fire Rating	UL 263-2011(R2022), STM E119-20 & CAN/ULC-S101-14
Warranty	3 Year



### ACCESSORIES

Sold Separately



[1 1/4" Flanged Rough-In Plate model # MP4-114FR](#)



[Flanged Plate with Hanger Bars model # FRP4](#)



[26" Flat Rough-In Plates model # RIP412](#)



[13" Mounting Plate Flat model # MP4-2](#)



[Jumper Cable 10 ft. 5 CCT Model # FR-JC-5CCT-10](#)

### ORDERING GUIDE

	CCT	Trim	Beam Angle
<b>FR-LED-4-S9W-5CCT-FG-WH</b>	5CCT	White	blank for 38°
5CCT: 2700 - 3000 - 3500 - 4000 - 5000K			-24D for 24°
			-60D for 60°

Stock trim - White. Other Trim Colors Available By Custom Order

### INSTRUCTIONS FOR PROPER ASSEMBLY

Cut a circular opening in the gypsum ceiling such that the annular space between the ceiling membrane and the fixture does not exceed 1/8 inch.

Ensure penetrations do not exceed 100 square inches in any 100 square feet of ceiling area. Install with a minimum separation of 4 feet between units.

Maintain a minimum 1 inch space between the edge of the fixture and closest structural member.

### Lotus LED Lights USA

250 H Street # 301, Blaine WA 98230 tel 360-200-5500

Hainesport NJ, Naples FL, Vancouver WA

[www.LotusLEDLights.com](http://www.LotusLEDLights.com)

mailing addresses

warehouses

### Lotus LED Lights CANADA

1080 Cliveden Ave # 6, Delta BC V3M 6G6 tel 604-538-3090

Delta BC, Mississauga ON