

## FR-LED-6-S15W-5CCT-PL

### 6" Round Fire Rated Ultra Slim Recessed LED 5CCT 15W

Project: \_\_\_\_\_

Location: \_\_\_\_\_

Qty: \_\_\_\_\_

Notes: \_\_\_\_\_

#### DESCRIPTION

6" Round Fire Rated Ultra Slim Recessed LED 5CCT 15W  
With Integral Driver In Connection Box

#### FEATURES & BENEFITS

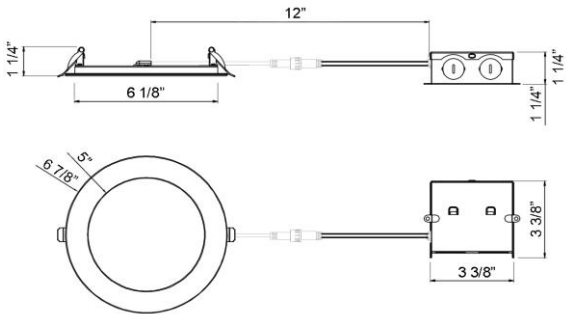
- 2 Hour Fire Rated** without additional housing or hardware
- Heat Resistant Steel Casing** provides up to 2 Hour Fire Protection
- Heavy Duty Steel Spring** Clips for easy installation
- 1 1/4" Spring Height** for installations on 2 x 5/8" drywall
- Plenum Rated Cable** for Commercial Installations
- Type IC, Wet Location & Air-Tight** Rated
- 1/2" Thin** - Install Directly Under Ceiling Joists
- Driver Inside Connection Box** - No Junction Box Needed
- 5 CCT** User Selectable Light Colors
- CRI 90+** for True Color Rendering



**DIMENSIONS** ID 6 1/8" OD 6 7/8" **Cut Out 6 1/4"**

Fixture Thickness: 1/2"

120V Triac Dimmable Driver Included



#### ORDERING GUIDE

	CCT	Trim
<b>FR-LED-6-S15W-5CCT-PL-WH</b>	5CCT	White
5CCT: 2700 - 3000 - 3500 - 4000 - 5000K		

Stock trim - White. Other Trim Colors Available By Custom Order

#### INSTRUCTIONS FOR PROPER ASSEMBLY

Cut a circular opening in the gypsum ceiling such that the annular space between the ceiling membrane and the fixture does not exceed 1/8 inch. Ensure penetrations do not exceed 100 square inches in any 100 square feet of ceiling area. Install with a minimum separation of 4 feet between units. Maintain a minimum 1 inch space between the edge of the fixture and closest structural member.

#### SPECIFICATION

SPECIFICATION	
Applications	Multi-Family Residential, Basements & Commercial
Energy Used	15 W
Color Temperature (K)	2700 - 3000 - 3500 - 4000 - 5000
Light Output (lm)	960 - 1030 - 1080 - 1100 - 1050
Halogen Equivalent	90 W
Beam Angle	110°
CRI	90+
Driver Input	120V AC 50/60 Hz
Dimming	TRIAC Dimmers 10% - 100%
Junction Box Volume	9.69 cubic inches / Max 5 No 12 AWG or 8 No 14 AWG
Approved Location	Insulated Ceiling & Wet Locations
Cable	FT6 / CMP Plenum Rated
Air Tight & Type IC	Yes
Ambient Temperature	-4°F (-20°C) to +104°F (+40°C)
Projected Life	70% Light Output at 50,000 Hours
Certification	cETLus
Fire Rating	UL 263-2011(R2022), STM E119-20 & CAN/ULC-S101-14
Warranty	3 Year



#### ACCESSORIES

Sold Separately



[1 1/4" Flanged Rough-In Plate model # MP6-114FR](#)



[13" Mounting Plate Flat model # MP6-2](#)



[26" Flat Rough-In Plates model # RIP6](#)



[Flanged Plate with Hanger Bars - model # FRP6](#)



[Jumper Cable 10 ft. 5 CCT Model # FR-JC-5CCT-10](#)



[0-10V Dimmable driver 120-347V HBL015-AW-10-01A-5CS](#)



[Emergency Driver 8W 120-347V BLD-HM08D-YY](#)

#### Lotus LED Lights USA

250 H Street # 301, Blaine WA 98230 tel 360-200-5500  
Hainesport NJ, Naples FL, Vancouver WA

[www.LotusLEDLights.com](http://www.LotusLEDLights.com)

mailing addresses  
warehouses

#### Lotus LED Lights CANADA

1080 Cliveden Ave # 6, Delta BC V3M 6G6 tel 604-538-3090  
Delta BC, Mississauga ON