

JXL-CA06-T12W-5CCT

6" Round Regressed Baffle Economy LED 12W 5CCT



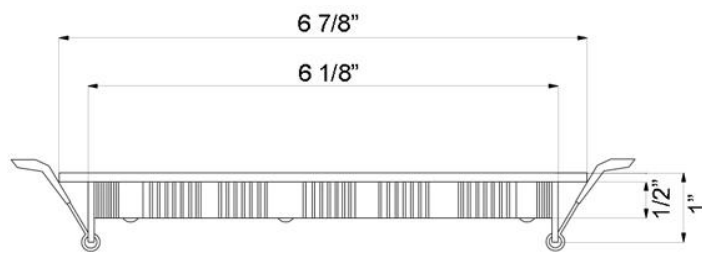
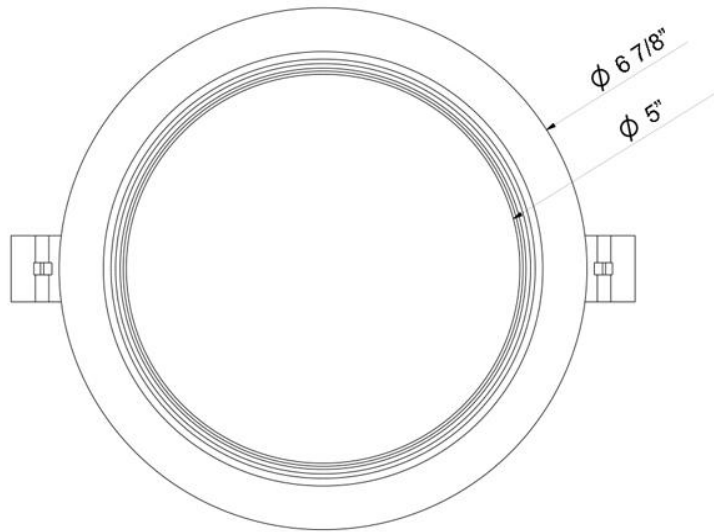
DESCRIPTION

6" Round Regressed Baffle Economy LED
With Integral Driver In Connection Box

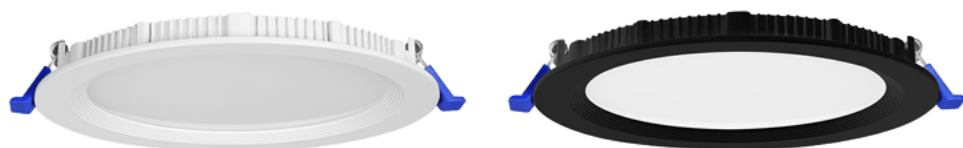
FEATURES & BENEFITS

- 1/2" Deep** - Fits directly under joist
- 1/4" Regressed** with Baffle Reflector for Reduced Glare
- Type IC Rated** - No Housing Required
- Driver Inside Connection Box** - No Junction Box Needed
- 5 CCT** user selectable 2700K to 5000K

DIMENSIONS ID 6 1/8" OD 6 7/8" Depth: 1/2"
Cut Out 6 1/4"



AVAILABLE TRIMS



[White](#)

[Black](#)

ORDERING GUIDE

JXL-CA06-T12W-5CCT-WH [White Trim](#)
JXL-CA06-T12W-5CCT-BK [Black Trim](#)

Project: _____
Location: _____
Model: _____ Qty: _____
Notes: _____

SPECIFICATION	
Applications	Renovations & New Construction
Energy Used	12 W
Color Temperature (K)	2700 3000 3500 4000 5000
Light Output White Trim (lm)	930 1000 1060 1070 1000
Light Output Black Trim (lm)	780 850 900 910 850
Halogen Equivalent	100 W
Beam Angle	110°
CRI	80
Driver Input	120V AC 50/60 Hz
Dimming	TRIAC Dimmers 10% - 100%
Junction Box Volume	9.69 cubic inches / Max 5 No 12 AWG or 8 No 14 AWG
Approved Location	Insulated Ceiling & Damp Locations
Air Tight	Yes
Ambient Temperature	-4°F (-20°C) to +104°F (+40°C)
Projected Life	70% Light Output at 50,000 Hours
Certification	cETLus
Warranty	3 Year

120V Triac Dimmable Driver Included



ACCESSORIES

Sold Separately

- [13" Mounting Plate Flat model # MP6-2](#)
- [26" Flat Rough-In Plates model # RIP6](#)
- [Flanged Plate with Hanger Bars - model # FRP6](#)
- [Jumper Cable 10 ft model # JC-5CCT-10](#)
- [Goof Ring OD 7 5/8" White # GR6 Black # GR6-BK](#)

COMPLIANCE



Type IC
Air-Tight

Lotus LED Lights USA 250 H Street # 301, Blaine WA 98230 tel 360-200-5500 Hainesport NJ, Naples FL, Vancouver WA	www.LotusLEDLights.com mailing addresses warehouses	Lotus LED Lights CANADA 1080 Cliveden Ave # 6, Delta BC V3M 6G6 tel 604-538-3090 Delta BC & Mississauga ON
---	---	---