



JXL-TXH05-T11W-5CCT

5 LED Linear Recessed 11W 5CCT

Project: _____

Location: _____

Model: _____ Qty: _____

Notes: _____

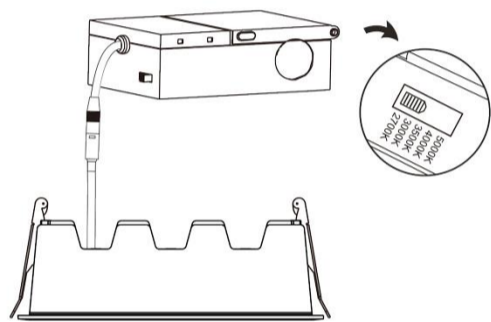
DESCRIPTION

5 LED Linear Recessed With Integral Driver In Connection Box
For unique and original lighting installations

FEATURES & BENEFITS

- 5 CCT User Selectable
- Type IC Rated - No Housing Required
- 2" Deep - Install Where Ceiling Space Is Limited
- 120V Triac Dimmable Driver with Wiring Compartment Included

[INSTALLATION INSTRUCTIONS](#)

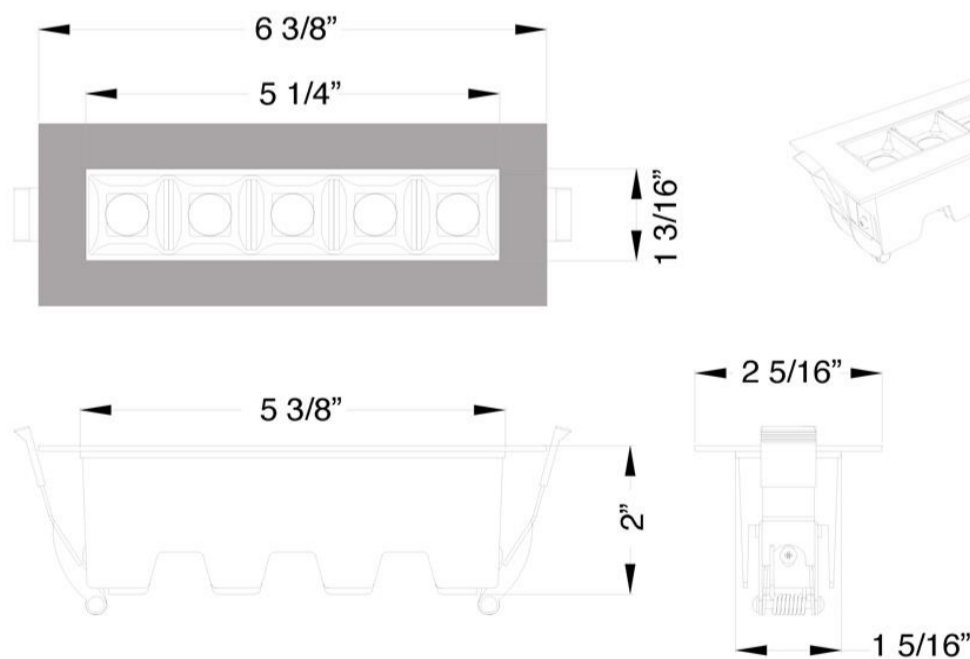


SPECIFICATION	
Applications	Residential, Commercial, Hospitality
Power	11 W
Color Temperature (K)	2700 3000 3500 4000 5000
Light Output (lm)	520 550 630 660 650
Beam Angle	45° (default), 30°
CRI	80
Driver Input	120V AC 50/60 Hz
J-Box Volume	3.88 in ³
Dimming	TRIAC Dimmers 20% - 100%
Approved Location	Insulated Ceiling & Damp Locations
Air Tight	Yes
Ambient Temperature	-4°F (-20°C) to +104°F (+40°C)
Projected Life	70% Light Output at 30,000 Hours
Certification	c ETL us
Warranty	3 Year

DIMENSIONS Out 6 3/8" x 2 5/16" In 5 3/8" x 1 5/16" Depth 2"

Driver: 4 1/4" x 2 5/8" x 1 3/8"

Cut Out: 5 1/2" x 1 1/2"



AVAILABLE TRIMS



ORDERING GUIDE

	Beam	Trim
JXL-TXH05-T11W-5CCT-WH-45°	45°	White
JXL-TXH05-T11W-5CCT-WH-30°	30°	White
JXL-TXH05-T11W-5CCT-BK-45°	45°	Black
JXL-TXH05-T11W-5CCT-BK-30°	30°	Black

ACCESSORIES

Sold Separately



26" Flat Mounting Plate for Linear 5 & 10 LED Recessed
[Model # MP-5-10-LIN](#)

Lotus LED Lights USA

250 H Street # 301, Blaine WA 98230 tel 360-200-5500
Hainesport NJ, Naples FL, Vancouver WA

www.LotusLEDLights.com

mailing addresses
warehouses

Lotus LED Lights CANADA

1080 Cliveden Ave # 6, Delta BC V3M 6G6 tel 604-538-3090
Delta BC & Mississauga ON