

Economy Line 4" Super Thin Recessed LED Soft White 11W
Type IC & Air-Tight


Project: _____

Location: _____

Qty: _____

Notes: _____

DESCRIPTION

 Recessed 4" Round LED With Integral Driver In Connection Box.
 Fits Where No Other Recessed Fixture Can.

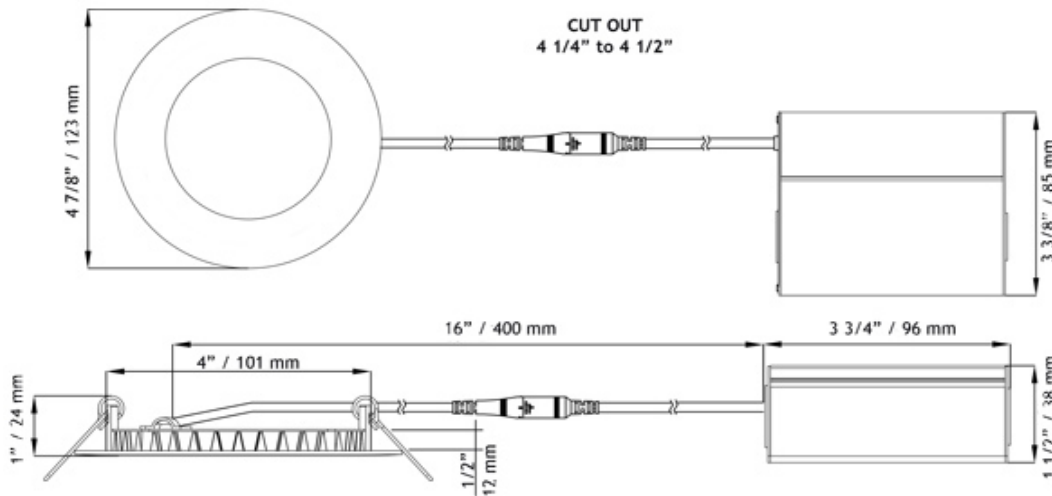
FEATURES & BENEFITS

- 1/2" Thin - Install Directly Under Joists, Maximum Layout Flexibility
- Type IC Rated - No Housing Required
- Fast & Easy To Install - Save On Labour
- Driver Inside Connection Box - No Junction Box Needed

MOUNTING

- Cut Hole In Ceiling And Snap Fixture In Opening With Attached Spring Clips.
- 2" Above Ceiling Clearance Required For Driver.
- Cut Out - 4 1/4" to 4 1/2".

SPECIFICATION	
Applications	Recessed Ceiling Mount
Energy Used	11 W
Colour Temperature	3000 K
Light Output	700 lm
Halogen Equivalent	65 W
Beam Angle	110°
CRI	82
Driver Input	120V AC 60 Hz
Power Factor	0.98
Dimming	TRIAC Dimmers 5% - 100%
Approved Location	Insulated Ceiling & Damp Locations
Air Tight	Yes
Ambient Temperature	-40° F (-40° C) to +104° F (+40° C)
Projected Life	70% Light Output at 36,000 Hours
Certification	cULus, Energy Star
Warranty	5 Year


COMPLIANCE


CHARACTERISTICS

Body: Durable, Die Cast Aluminum Alloy for Optimal Heat Dissipation.

Paint: Oil Based Spray Painted - Scratch Resistant And Smooth Finish.

LEDs: 36 Pieces Of 2835.

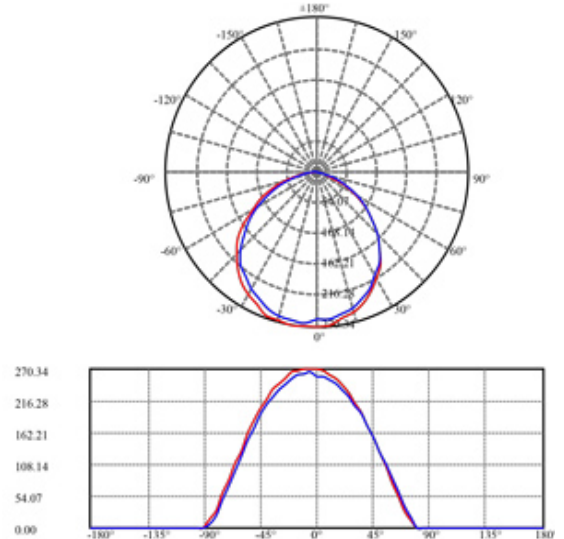
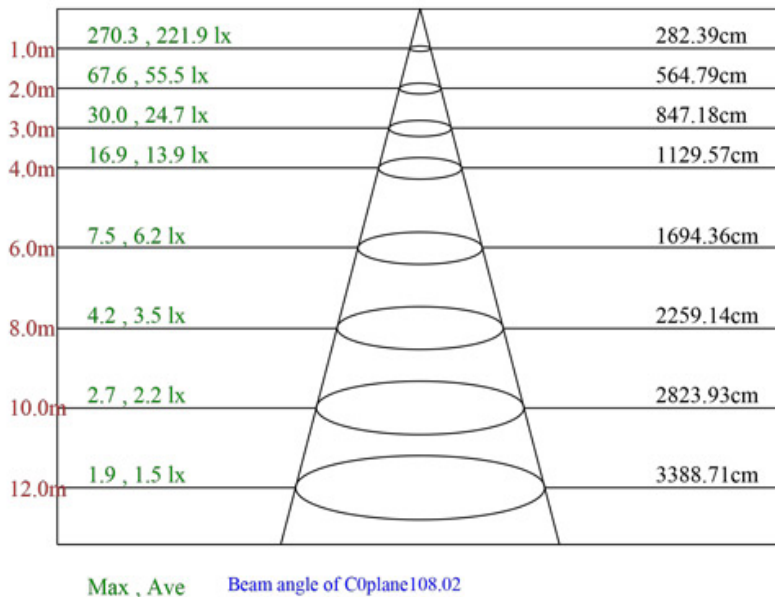
Driver: In-house produced, Triac dimmable down to 5%.

Connection Box: Saves Contractors Labour On Installation.

Quick connectors included.

PHOTOMETRIC DATA

MODEL:	LB4R 30K	LAMP FLUX:	702.8 LM
VOLTAGE:	120 V	LUMENS / POWER:	68.46 LM/W
POWER:	10.27 W	CENTRAL INTENSITY:	270 CD
PF:	0.978	BEAM ANGLE:	108 DEGREES



ORDERING GUIDE

Model: **LB4R / 30K / WH**

Available in White Trim Only

DRIVER INCLUDED



ACCESSORIES

Sold Separately



Low Voltage Extension Cable
10ft - cat # **EXC10**
Max 40 ft Extension Allowed



Rough-In Plates - cat # **RIP4**



Goof Ring White OD 5 3/4" - cat # **GR4**



Vancouver Toronto Las Vegas Naples Philadelphia Dallas Seattle

tel: 1-844-24-LOTUS (56887)

fax: 1-877-561-6306

www.lotusLEDlights.com