

Type IC, Wet & Air-Tight



Project: _____

Location: _____

Trim Finish: _____ Qty: _____

Notes: _____

DESCRIPTION

Recessed 4" Round LED With Integral Driver In Connection Box.
Fits Where No Other Recessed Fixture Can.

FEATURES & BENEFITS

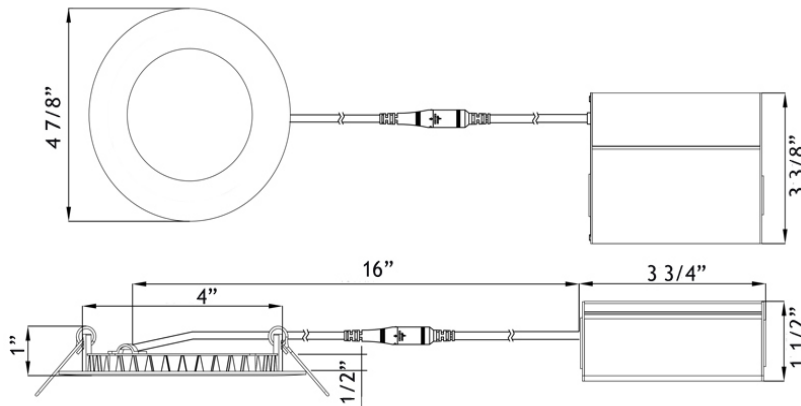
- 1/2" Thin - Install Directly Under Joists, Maximum Layout Flexibility
- Type IC Rated - No Housing Required
- Fast & Easy To Install - Save On Labour
- Driver Inside Connection Box - No Junction Box Needed

MOUNTING

Cut Hole In Ceiling And Snap Fixture In Opening With Attached Spring Clips.
2" Above Ceiling Clearance Required For Driver.
Cut Out - 4 1/4" to 4 1/2".

DIMENSIONS

ID 4" OD 4 7/8" Cut Out 4" to 4 1/4"



SPECIFICATION	
Applications	Recessed Ceiling, Showers & Soffits
Energy Used	11 W
Colour Temperature	4100 K
Light Output	730 lm
Halogen Equivalent	65 W
Beam Angle	110°
CRI	80 +
Driver Input	120V AC or 277V-347V AC
Power Factor	0.98
Dimming	TRIAC Dimmers 5% - 100%
Approved Location	Insulated Ceiling & Wet IP54
Air Tight	Yes
Ambient Temperature	-40° F (-40° C) to +104° F (+40° C)
Projected Life	70% Light Output at 36,000 Hours
Certification	cULus, Energy Star
Warranty	5 Year

Driver Included

Cable Rating FT4 / CM



Trim Options



White



Black

COMPLIANCE



CHARACTERISTICS

Body: Durable, Die Cast Aluminum Alloy for Optimal Heat Dissipation.

Paint: Oil Based Spray Painted - Scratch Resistant And Smooth Finish.

LEDs: 36 Pieces Of 2835.

Driver: In-house produced, Triac dimmable down to 5%.

Connection Box: Saves Contractors Labour On Installation.

Quick connectors included.

LED lighting facts
A Program of the U.S. DOE

Light Output (Lumens) 730
Watts 11
Lumens per Watt (Efficacy) 66.36

Color Accuracy
Color Rendering Index (CRI) 83

Light Color
Correlated Color Temperature (CCT) 4000 (Bright White)

2700K 3000K 4500K 6500K

Warm White Bright White Daylight

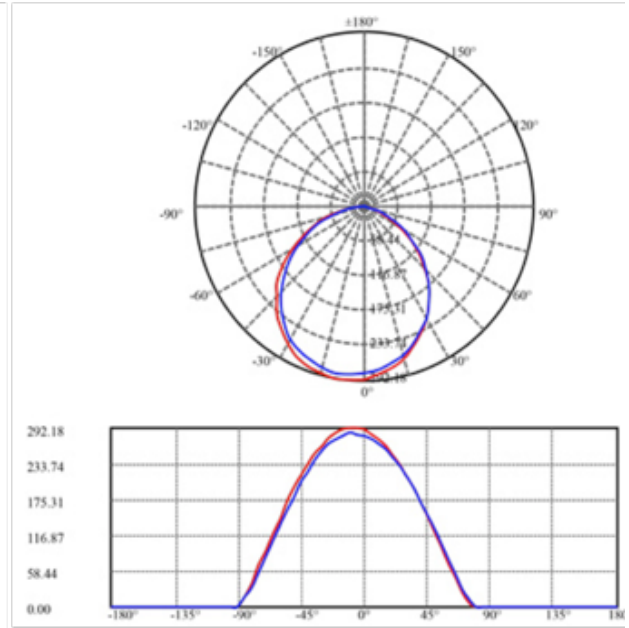
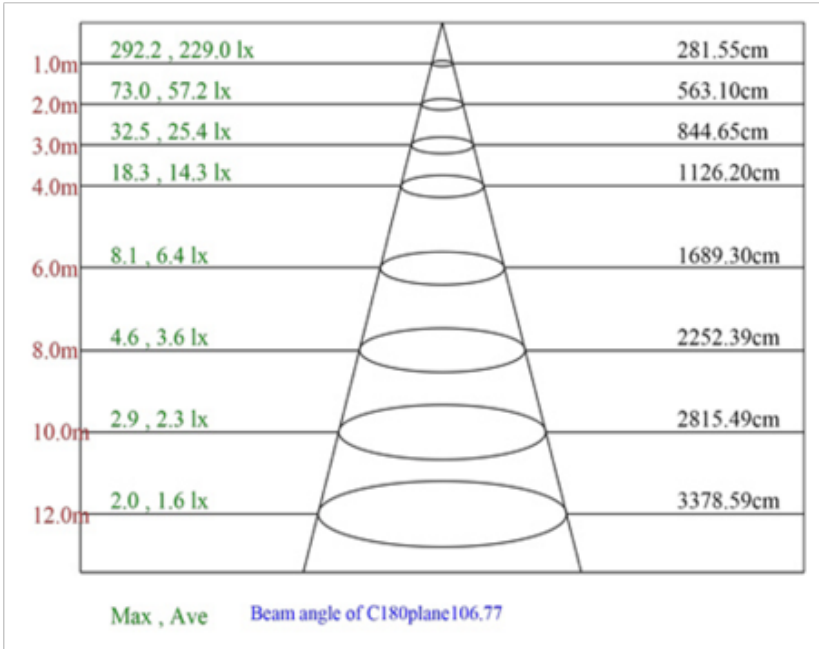
All results are according to IESNA LM-79-2008: Approved Method for the Electrical and Photometric Testing of Solid-State Lighting. The U.S. Department of Energy (DOE) verifies product test data and results.

Visit www.lightingfacts.com for the Label Reference Guide.

Registration Number: K53C-C155VJ (10/12/2016)
Model Number: LB4R 41K
Type: Luminaire - Downlight

PHOTOMETRIC DATA

MODEL:	LB4R 41K	LAMP FLUX:	732.1 LM
VOLTAGE:	120 V	LUMENS / POWER:	70.31 LM/W
POWER:	10.41 W	CENTRAL INTENSITY:	289 CD
PF:	0.978	BEAM ANGLE:	108 DEGREES



ORDERING GUIDE

Example: Model: **LB4R / 41K / WH**

LB4R / 41K / Trim Finish
 WH : White
 BK : Black



Order 277V - 347V Optional Driver Separately As cat # LLL-LD1535HB

ACCESSORIES



Low Voltage Extension Cables
 10ft - cat # **EXC10**, max 40ft extension
 FT4 / CM rated



Flanged Rough-In Plates - cat # **LRP4**



Flat Rough-In Plates - cat # **RIP4**



Goof Ring OD 5 3/4"
 White cat # **GR4**; Black cat # **GR4-BK**



Warehouses

Vancouver Toronto Las Vegas Naples Philadelphia Dallas Seattle Chicago Denver

tel: 1-844-24-LOTUS (56887)

fax: 1-877-561-6306

www.lotusLEDlights.com