



Type IC, Wet & Air-Tight

DESCRIPTION

4" Round 24V DC Input Recessed LED
Fits Where No Other Recessed Fixture Can

FEATURES & BENEFITS

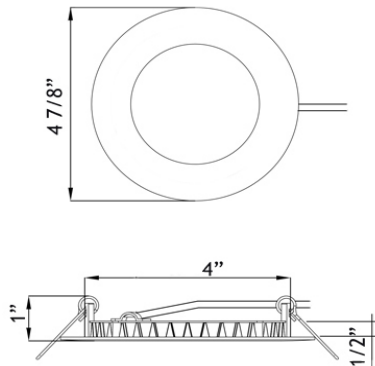
1/2" Deep - Install Directly Under Joists -
Maximum Layout Flexibility
Fast & Easy To Install - Save On Labor
Type IC Rated - No Housing Required
Connect multiple fixtures to one driver:
up to 8 per a 96W power supply

Driver is Not included

MOUNTING

Cut Hole In Ceiling And Snap Fixture In Opening With Attached
Spring Clips. Ceiling Clearance Required : 1/2"

DIMENSIONS: ID 4" OD 4 7/8" Cut Out 4" to 4 1/4"



AVAILABLE TRIMS



ORDERING GUIDE Example: **LB4R24V / 30K / WH**

	CCT	Trim Finish	
LB4R24V	/	/	
3000K	30K	WH	White
4100K	41K	BK	Black

Lotus LED Lights USA

250 H Street # 301, Blaine WA 98230 tel 360-200-5500
Hainesport NJ, Naples FL, Dallas TX, Vancouver WA

www.LotusLEDlights.com

Lotus LED Lights CANADA

800-15355 24 Ave Box 200, Surrey BC V4A 2H9 tel 604-538-3090
Delta BC & Mississauga ON

Project: _____

Location: _____

Cat #: _____ Qty: _____

Notes: _____

SPECIFICATION	
Applications	Recessed Ceiling, Showers & Soffits
Energy Used	11 W
Colour Temperature	3000 4100
Light Output	700 730
Halogen Equivalent	65 W
Beam Angle	110°
CRI	80
Input Voltage	24V DC
Dimmability	To 5% With Compatible Driver & Dimmer
Approved Location	Insulated Ceiling & Wet & Locations
IP Rating	IP 54
Air Tight	Yes
Ambient Temperature	-40°F (-40°C) to +104°F (+40°C)
Projected Life	70% Light Output at 25,000 Hours
Certification	cULus
Warranty	3 Year

ACCESSORIES

Sold Separately



26" Flat Rough-In Plates - cat # **RIP4**



13" Flat Rough-In Plate - cat # **MP4-2**



13" Flanged Rough-In Plate - cat # **MP4**



Flanged Plate with Hanger Bars - cat # **FRP4**



Goof Ring OD 5 3/4"
White - cat # **GR4** Black - cat # **GR4-BK**



24V 96W cULus Class 2 Driver
120V Input Triac & 0-10V Dimmable
cat # **LBL-DC24V96W**

COMPLIANCE



**Type IC
Air-Tight**