

Economy 6" Super Thin Recessed LED 14W Soft White

Type IC, Wet & Air-Tight



Project: _____

Location: _____

Trim Finish: _____ Qty: _____

Notes: _____

DESCRIPTION

Recessed 6" Round LED With Integral Driver In Connection Box.
Fits Where No Other Recessed Fixture Can.

FEATURES & BENEFITS

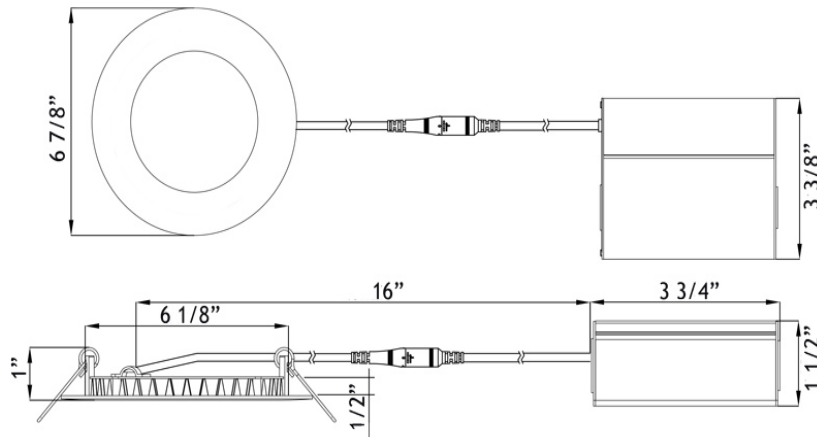
- 1/2" Thin - Install Directly Under Joists, Maximum Layout Flexibility
- Type IC Rated - No Housing Required
- Fast & Easy To Install - Save On Labour
- Driver Inside Connection Box - No Junction Box Needed

MOUNTING

Cut Hole In Ceiling And Snap Fixture In Opening With Attached Spring Clips.
1 1/2" Above Ceiling Clearance Required For Driver.

DIMENSIONS

ID 6 1/8" OD 6 3/4" Cut Out 6 1/4" to 6 1/2"



SPECIFICATION	
Applications	Recessed Ceiling, Showers & Soffits
Energy Used	14 W
Colour Temperature	3000 K
Light Output	900 lm
Halogen Equivalent	75 W
Beam Angle	110°
CRI	80 +
Driver Input	120V AC or 277V-347V AC
Power Factor	0.98
Dimming	TRIAC Dimmers 5% - 100%
Approved Location	Insulated Ceiling & Wet IP54
Air Tight	Yes
Ambient Temperature	-40° F (-40° C) to +104° F (+40° C)
Projected Life	70% Light Output at 36,000 Hours
Certification	cULus, Energy Star
Warranty	5 Year

Driver Included

Cable Rating FT4 / CM



Trim Options



COMPLIANCE



Warehouses

Vancouver Toronto Las Vegas Naples Philadelphia Dallas Seattle Chicago Denver

tel: 1-844-24-LOTUS (56887)

fax: 1-877-561-6306

www.lotusLEDlights.com

CHARACTERISTICS

Body: Durable, Die Cast Aluminum Alloy for Optimal Heat Dissipation.

Paint: Oil Based Spray Painted - Scratch Resistant And Smooth Finish.

LEDs: 48 Pieces Of 2835.

Driver: In-house produced, Triac dimmable down to 5%.

Connection Box: Saves Contractors Labour On Installation.

Quick connectors included.

LED lighting facts
A Program of the U.S. DOE

Light Output (Lumens) **900**
Watts **14.5**
Lumens per Watt (Efficacy) **62.07**

Color Accuracy
Color Rendering Index (CRI) **82**

Light Color
Correlated Color Temperature (CCT) **3000 (Bright White)**

2700K 3000K 4500K 6500K

Warm White Bright White Daylight

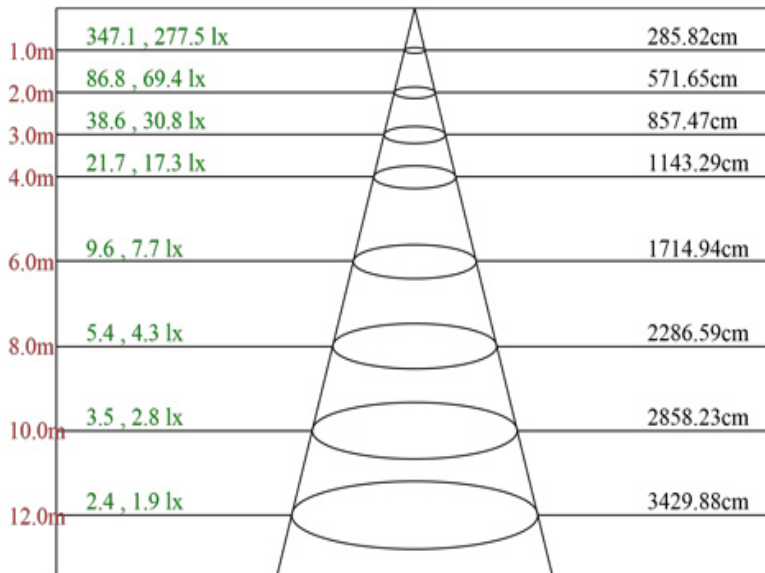
All results are according to IESNA LM-79-2008: Approved Method for the Electrical and Photometric Testing of Solid-State Lighting. The U.S. Department of Energy (DOE) verifies product test data and results.

Visit www.lightingfacts.com for the Label Reference Guide.

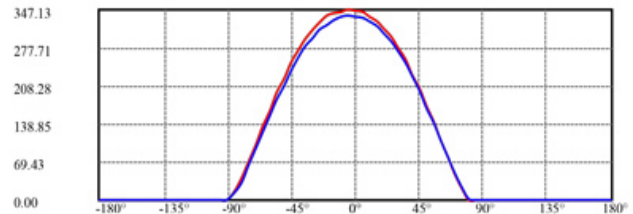
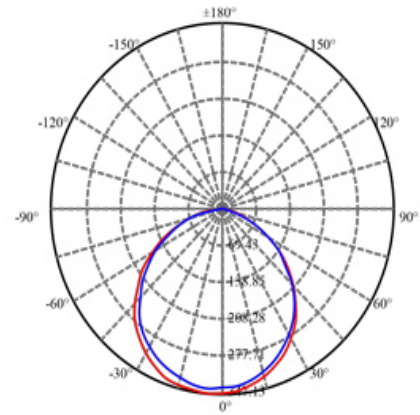
Registration Number: K53C-6JMNPE (10/12/2016)
Model Number: LB6R 30K
Type: Luminaire - Downlight

PHOTOMETRIC DATA

MODEL:	LB6R 30K	LAMP FLUX:	902.1 LM
VOLTAGE:	120 V	LUMENS / POWER:	63.95 LM/W
POWER:	14.1 W	CENTRAL INTENSITY:	345 CD
PF:	0.986	BEAM ANGLE:	109 DEGREES



Max , Ave Beam angle of C180plane109.12



ORDERING GUIDE

Model: **LB6R / 30K / WH**

Trim Finish
LB6R / 30K /
WH : White
BK : Black



Order 277V - 347V Optional Driver Separately As cat # LLL-LD1535HB

ACCESSORIES

Sold Separately



Low Voltage Extension Cables
 10ft - cat # **EXC10**, max 40ft extension
 FT4 / CM rated



Flanged Rough-In Plates - cat # **LRP6**



Flat Rough-In Plates - cat # **RIP6**



Goof Ring White OD 7 5/8" - cat # **GR6**



Warehouses

Vancouver Toronto Las Vegas Naples Philadelphia Dallas Seattle Chicago Denver

tel: 1-844-24-LOTUS (56887)

fax: 1-877-561-6306

www.lotusLEDlights.com