

8" Economy Round Super Thin Recessed LED Neutral White 18W
Type IC, Wet & Air-Tight


Project: _____

Location: _____

Trim Finish: _____ Qty: _____

Notes: _____

DESCRIPTION

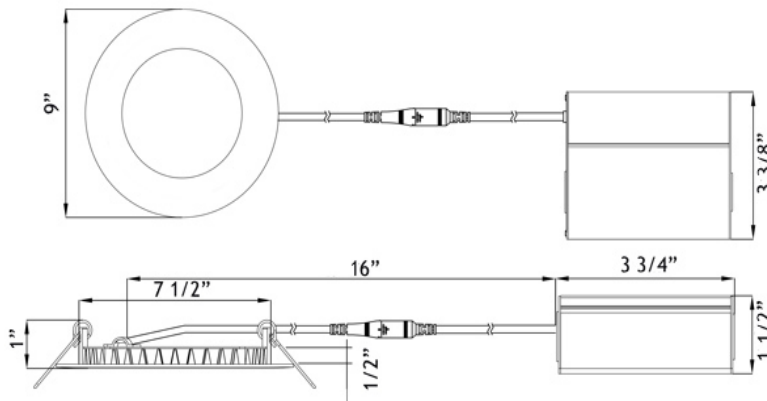
 8" Recessed Round LED With Integral Driver In Connection Box.
 Fits Where No Other Recessed Fixture Can.

FEATURES & BENEFITS

- 1/2" Thin - Install Directly Under Joists, Maximum Layout Flexibility
- Type IC Rated - No Housing Required
- Fast & Easy To Install - Save On Labour
- Driver Inside Connection Box - No Junction Box Needed

MOUNTING

 Cut Hole In Ceiling And Snap Fixture In Opening With Attached Spring Clips.
 1 1/2" Above Ceiling Clearance Required For Driver.
 Cut Out - 7 3/4" to 8 1/2".

DIMENSIONS ID 7 1/2" OD 9" Cut Out 7 1/2" to 8"


SPECIFICATION	
Applications	Recessed Ceiling Mount
Energy Used	18 W
Colour Temperature	4100 K
Light Output	1260 lm
Halogen Equivalent	120 W
Beam Angle	110°
CRI	82
Driver Input	120V AC or 277V-347V AC 50/60 Hz
Power Factor	0.98
Dimming	TRIAC Dimmers 5% - 100%
Approved Location	Insulated Ceiling & Wet Locations
IP Rating	IP 54
Air Tight	Yes
Ambient Temperature	-40° F (-40° C) to +104° F (+40° C)
Projected Life	70% Light Output at 36,000 Hours
Certification	cULus, Energy Star
Warranty	5 Year

Driver Included

Cable Rating FT4 / CM


Available Trims


White



Black

COMPLIANCE

Warehouses

Vancouver Toronto Las Vegas Naples Philadelphia Dallas Seattle Chicago Denver

tel: 1-844-24-LOTUS (56887)

fax: 1-877-561-6306

www.lotusLEDlights.com

CHARACTERISTICS

Body: Durable, Die Cast Aluminum Alloy for Optimal Heat Dissipation.

Paint: Oil Based Spray Painted - Scratch Resistant And Smooth Finish.

LEDs: 72 Pieces Of 2835.

Driver: In-house produced, Triac dimmable down to 5%.

Connection Box: Saves Contractors Labour On Installation.

Quick connectors included.

LED Lighting facts
A Program of the U.S. DOE

Light Output (Lumens) 1260
Watts 18
Lumens per Watt (Efficacy) 70

Color Accuracy
Color Rendering Index (CRI) 83

Light Color
Correlated Color Temperature (CCT) 4000 (Bright White)

Warm White 2700K | Bright White 3000K | 4500K | Daylight 6500K

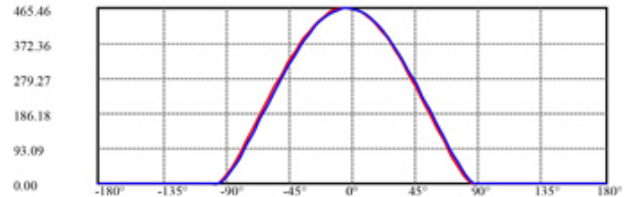
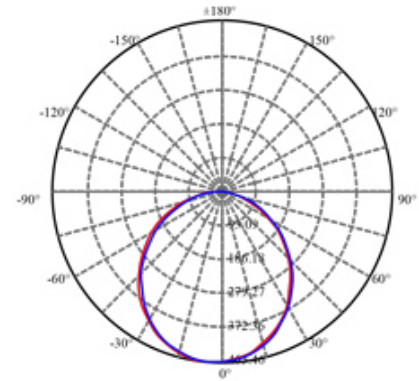
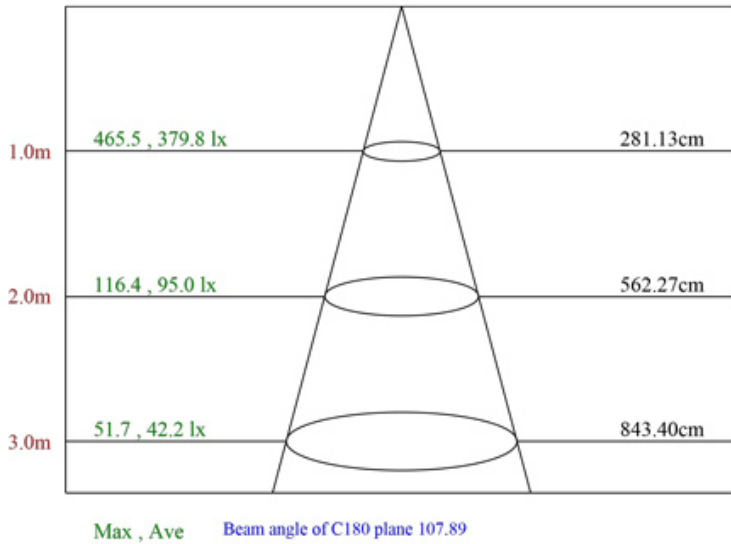
All results are according to IESNA LM-79-2008: Approved Method for the Electrical and Photometric Testing of Solid-State Lighting. The U.S. Department of Energy (DOE) verifies product test data and results.

Visit www.lightingfacts.com for the Label Reference Guide.

Registration Number: K53C-PPCAGI (12/27/2016)
Model Number: LB8R 41K
Type: Luminaire - Downlight

PHOTOMETRIC DATA

MODEL:	LB8R 41K	LAMP FLUX:	1264 LM
VOLTAGE:	120 V	LUMENS / POWER:	73.3 LM/W
POWER:	17.24 W	CENTRAL INTENSITY:	463 CD
PF:	0.988	BEAM ANGLE:	108 DEGREES



ORDERING GUIDE

Model: **LB8R / 41K / WH**

LB8R / 41K / Trim Finish
 WH : White
 BK : Black

Order 277V - 347V Optional Driver Separately As cat # LLL-LD2050HB



ACCESSORIES



Low Voltage Extension Cable
 10ft - cat # EXC10
 Max 40 ft Extension Allowed



Rough-In Plates - cat # RIP8



Goof Ring White OD 9 1/2" - cat # GR8



Warehouses
 Vancouver Toronto Las Vegas Naples Philadelphia Dallas Seattle Chicago Denver

tel: 1-844-24-LOTUS (56887)

fax: 1-877-561-6306

www.lotusLEDlights.com