



LED-1-S6W-G

2" Round Gimbal Mini Recessed LED 24V AC/DC 6W

Project: _____

Location: _____

Model: _____ Qty: _____

Notes: _____

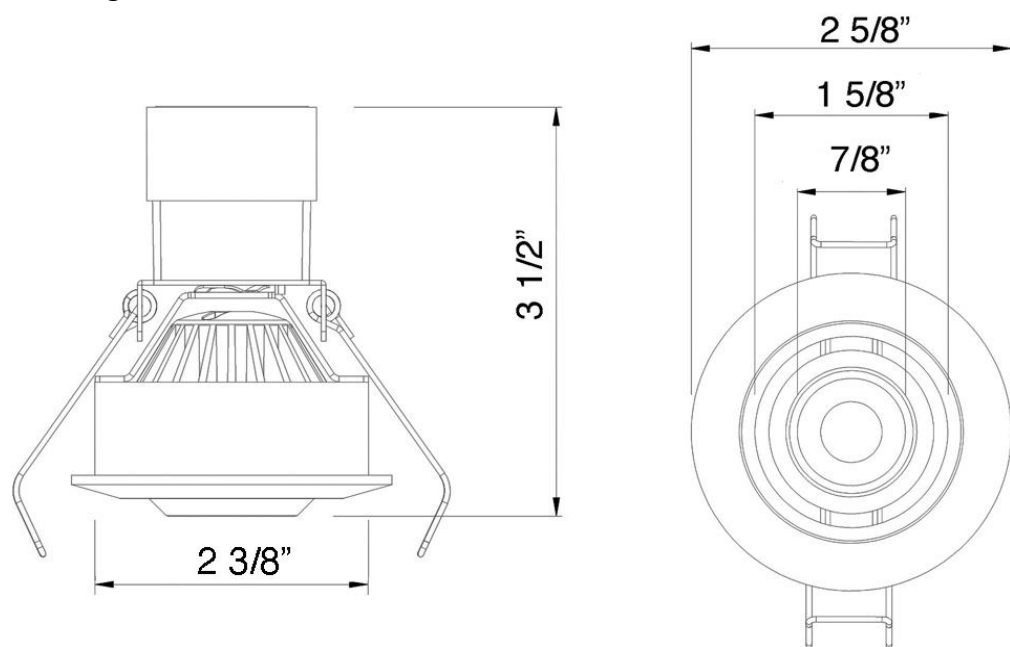
DESCRIPTION

2" Round Gimbal Mini Recessed LED 24V.
 Ultra compact, versatile, easily connected via daisy chained low voltage cable to an either remote mounted class 2 power supply or solar inverter.
 Die cast aluminum housing

FEATURES & BENEFITS

- 10° Tilt angle**
- 460 lm with CRI 90+** Comparable to 35W halogen while using 6W
- Internal terminal block** - No junction box needed
- 3 1/2" deep** - Fits where ceiling space is limited
- Fast & easy to install** - Save on labor
- Type IC rated** - No housing required

DIMENSIONS: ID 2 3/8" OD 2 5/8" Depth 3 1/2" Cut Out 2 3/8"
 Mounting surface from 1/8" to 1 1/2" thick



SPECIFICATION	
Applications	Displays, Cabinets, Mini Recessed, Soffits, Solar
Power	6 W
Color Temperature (K)	3000
Light Output (lm)	480
Halogen Equivalent	35 W
Tilt Angle	10°
Beam Angle	38° (standard), 24° available as adder
CRI	90 +
Fixture Input	24V AC / DC
Dimming	Dimmable with external 24V drivers
Approved Location	Insulated Ceiling & Damp Locations
Air Tight	No
Ambient Temperature	-4°F (-20°C) to +104°F (+40°C)
Projected Life	70% Light Output at 50,000 Hours
Certification	cETLus
Warranty	3 Year

AVAILABLE STOCK TRIMS



White

Black

ORDERING GUIDE

ORDERING GUIDE	CCT	Trim	Beam Angle
LED-1-S6W-30K-WH-24V-G	3000K	White	blank for 38°
LED-1-S6W-30K-BK-24V-G	3000K	Black	-24D for 24°



Other Trim & Light Colors Available By Custom Order

