



LED-1-S7W-5CCT

2" Recessed LED 7W 5CCT

Project: _____

Location: _____

Model: _____ Qty: _____

Notes: _____

DESCRIPTION

2" Recessed LED With Integral Driver In Connection Box
Ultra compact and versatile with 5CCT switch on the fixture

FEATURES & BENEFITS

5CCT User Selectable Light Color

Type IC Rated - No Housing Required

Fast & Easy To Install - Save On Labor

3 3/8" Deep - Install Where Ceiling Space Is Limited

430 to 480 lm with CRI 90+ for true colour rendering

Round & Square / White & Black interchangeable trims

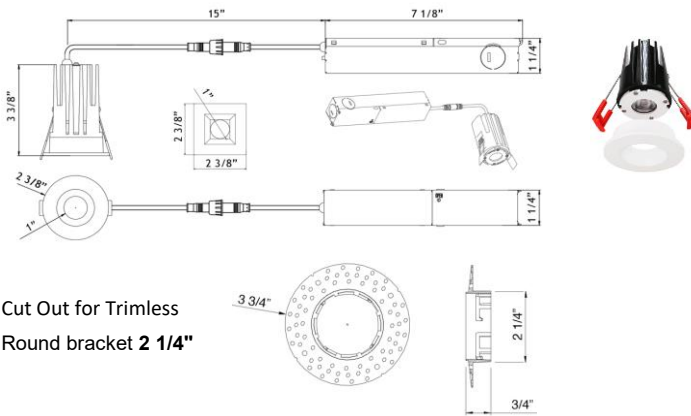
Trimless Round White bracket in stock, black & square by custom order

Beam options: **38°** (standard), **24°** available as adder

Driver Inside Connection Box - No Junction Box Needed



DIMENSIONS Regular Trims: ID 2" OD 2 3/8" Depth 3 3/8" Cut Out 2 1/8"
Ceiling clearance required 5"



Cut Out for Trimless
Round bracket 2 1/4"

ACCESSORIES



[26" Long Flat Rough-In Plate model # RIP2](#)

DO NOT USE RIP2 WITH TRIMLESS BRACKET

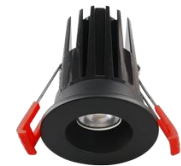


[Jumper Cables 10 ft model # JC10](#)

Available Trims



Round White **1RRWH**



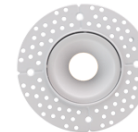
Round Black **1RRBK**



Square White **1SRWH**



Square Black **1SRBK**



Trimless Round White **1R-TRIMLESS-WH**



Note: We don't have mounting plate for the trimless bracket currently

COMPLIANCE



Type IC
Air-Tight

Lotus LED Lights USA

250 H Street # 301, Blaine WA 98230 tel 360-200-5500
Hainesport NJ, Naples FL, Vancouver WA

www.LotusLEDLights.com

mailing addresses
warehouses

Lotus LED Lights CANADA

1080 Cliveden Ave # 6, Delta BC V3M 6G6 tel 604-538-3090
Delta BC & Mississauga ON