



LED-2-S15W-T-SQ

2" Trimless Square LED 15W High Output Designer Series

Project: _____

Location: _____

Qty: _____

Notes: _____

DESCRIPTION

2" Trimless Square Recessed LED With Integral Driver In Connection Box

FEATURES & BENEFITS

5CCT user selectable or **Dim to Warm** 3000K to 1800K

CRI 90+ for True Color Rendering

5" Deep - Install Where Ceiling Space Is Limited

Type IC Rated - No Housing Required

Wet Location Approved

Driver Inside Connection Box - No Junction Box Needed

Designer Series High Output Fixture Suitable New Construction & Remodel installation

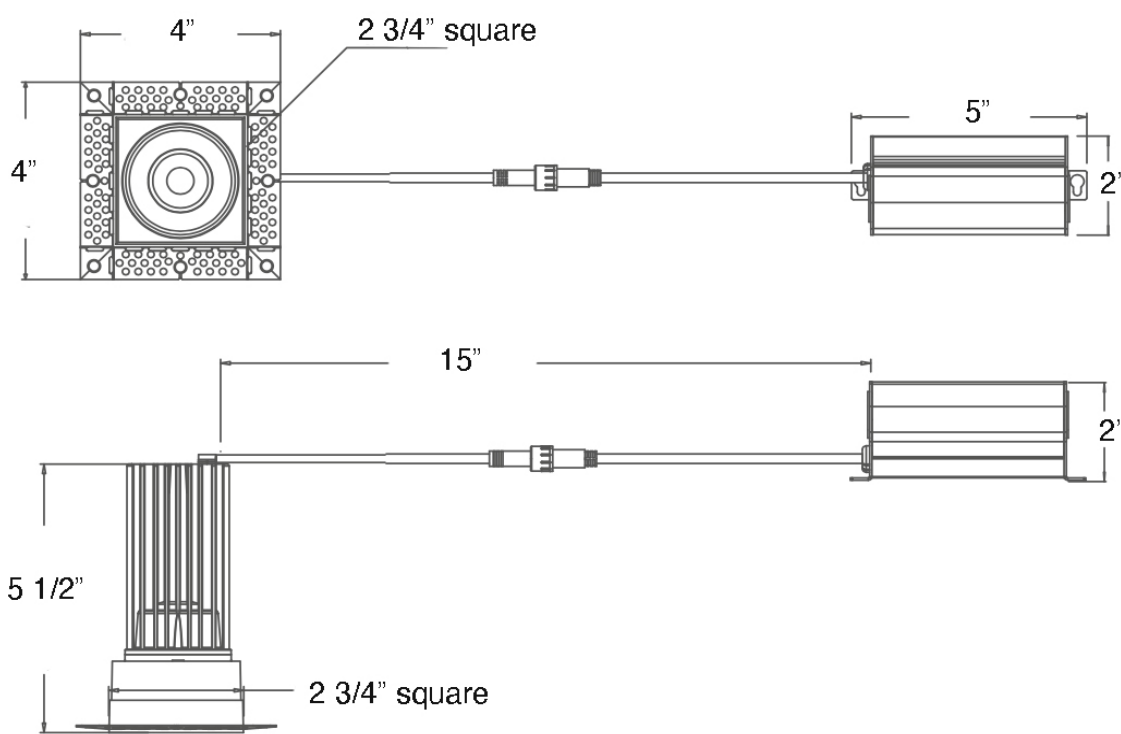
DIMENSIONS: ID 2 1/2" ; OD 3 1/2" ; Cut Out 2 3/4" **Square Hole**

Ceiling Clearance Required: 5"

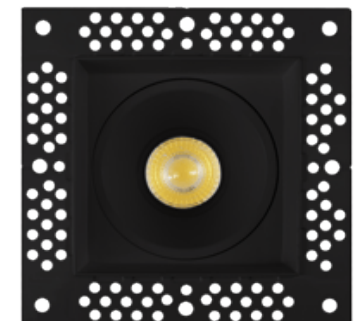
120V Triac Dim Driver Included

SPECIFICATION	
Applications	Commercial, Residential, Retail, Hospitality
Energy Used	15 W
Color Temperature (K)	5CCT: 27K - 30K - 35K - 40K - 50K DTW 3000-1800K
Light Output (lm)	820 - 870 - 950 - 985 - 960 800
Halogen Equivalent	100 W
Beam Angle	38° (default) or 24°
CRI	90 +
Driver Input	120V AC 50/60 Hz
J-Box Volume	6.53 in ³ / 2 in 2 out 12AWG
Dimming	TRIAC Dimmers 10% - 100%
Approved Location	Insulated Ceiling & Wet Locations
Air Tight	Yes
Ambient Temperature	-4°F (-20°C) to +104°F (+40°C)
Projected Life	70% Light Output at 50,000 Hours
Certification	cETLus, Energy Star, T24
Warranty	5 Year

AVAILABLE TRIMS



White



Black



ORDERING GUIDE

	CCT	Trim	Beam Angle
LED-2-S15W-L5CCTWH-T-SQ	5CCT	White	blank for 38°
LED-2-S15W-3018-WH-T-SQ	Dim to Warm	White	-24D for 24°
LED-2-S15W-L5CCTBK-T-SQ	5CCT	Black	
LED-2-S15W-3018-BK-T-SQ	Dim to Warm	Black	



Default beam angle is 38°, Optional is 24°

ACCESSORIES

Sold Separately



[Jumper Cables 10 ft 5CCT model JC-5CCT-10](#)

[Jumper Cables 10 ft DTW model JC-10](#)



[Mounting Plate Square Hole model MP-SQ-24](#)

Lotus LED Lights USA

250 H Street # 301, Blaine WA 98230 tel 360-200-5500
Hainesport NJ, Naples FL, Vancouver WA

www.LotusLEDLights.com

mailing addresses
warehouses

Lotus LED Lights CANADA

702 Chester Rd, Delta BC V3M 6J1 tel 604-538-3090
Delta BC & Mississauga ON