

LED-3-S7W-FG

3" Round Floating Gimbal Recessed LED 7W



Project: _____

Location: _____

Model: _____ Qty: _____

Notes: _____

DESCRIPTION

3" LED Floating Gimbal
Adjustable in any direction and easy to use
Perfect for accent lighting

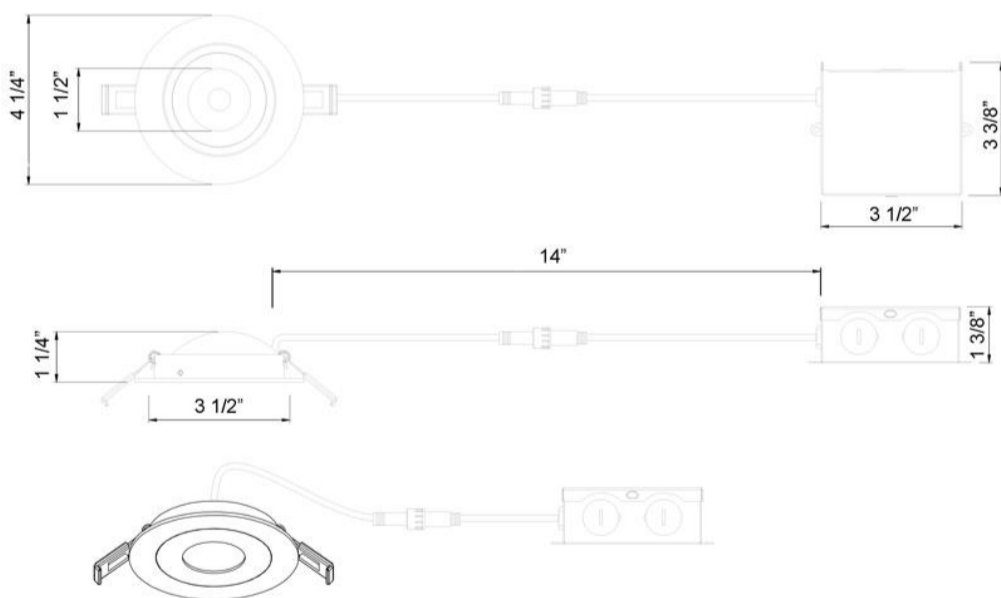
FEATURES & BENEFITS

- 5 CCT Switchable 2700-3000-3500-4000-5000K, Single CCT **3000K** or **Dim to Warm** 3000K to 1800K
- CRI 90+** for true color rendering
- 1 1/4" Deep** - Fits in 3/4" ceiling space (with driver remotely mounted)
- Type IC Rated** - No Housing Required
- Driver Inside Connection Box** - No Junction Box Needed
- White & Black** trims in stock
- Damp Location & Airtight**
- Ideal for sloped ceilings, soffits, wall washing, highlighting artwork, task and general lighting



SPECIFICATION	
Applications	Sloped ceilings, soffits, wall washing, artwork
Energy Used	7 W
Color Temperature (K)	2700 3000 3500 4000 5000 Dim to Warm 3000-1800
Light Output (lm)	550 580 630 630 640 465
Halogen Equivalent	50 W
Beam Angle	38°
CRI	90+
Driver Input	120V AC
Dimmability	Triac Dimmable 100% - 10%
Junction Box Volume	6.53 in3 / 2 in 2 out 12AWG
Approved Location	Insulated Ceiling & Damp Locations
Air Tight	Yes
Ambient Temperature	-4°F (-20°C) to +104°F (+40°C)
Projected Life	70% Light Output at 50,000 Hours
Certification	cETLus
Warranty	3 Year

DIMENSIONS ID 3 1/2" OD 4 1/4" Depth 1 1/4" Cut Out 3 3/4"



ORDERING GUIDE

	CCT	Trim
LED-3-S7W-5CCT-FG-WH	5CCT	White
LED-3-S7W-3K-FG-WH	3000K	White
LED-3-S7W-3018K-FG-WH	Dim to Warm	White
LED-3-S7W-5CCT-FG-BK	5CCT	Black
LED-3-S7W-3K-FG-BK	3000K	Black
LED-3-S7W-3018K-FG-BK	Dim to Warm	Black

Trim Options



ACCESSORIES

Sold Separately

- [Flat Mounting Plate model MP334](#)
- [26" Long Flat Rough-In Plate model # RIP334](#)
- [Jumper Cable 10 ft. 5 CCT Model # JC-5CCT-10](#)