



# LED-6-S12W-2700K-6500KWH-R-BF

## 6" Round Regressed Baffle Wi-Fi + Bluetooth Tunable White



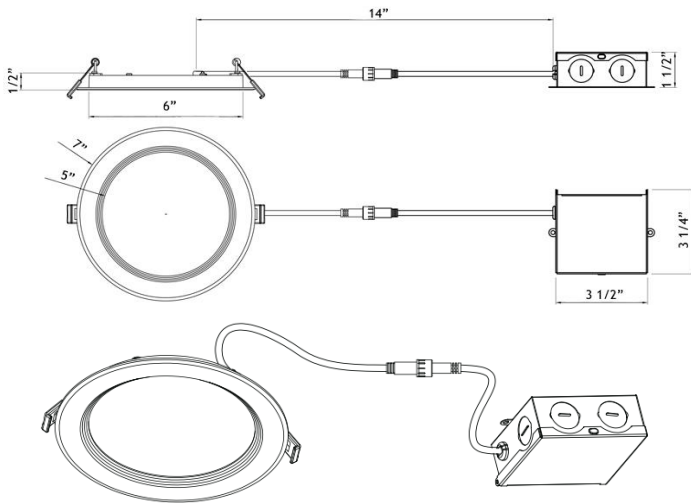
### DESCRIPTION

6" Round Regressed Baffle LED Tunable White  
 WiFi + Bluetooth Smart control via Smart Life app

### FEATURES & BENEFITS

- Smooth change of light color from **2700K to 6500K**
- WiFi 2.4GHz** or **Bluetooth Mesh** Controllable
- 1/2" Deep** - Fits directly under joist
- 1/4" Regressed** with Baffle Reflector for Reduced Glare
- Type IC Rated** - No Housing Required
- Driver Inside Connection Box** - No Junction Box Needed
- Damp Location & Airtight

**DIMENSIONS** ID 6" OD 7" Depth: 1/2" Cut Out 6 1/8" to 6 1/4"



Driver Included



### ORDERING GUIDE

Trim

**LED-6-S12W-2700K-6500KWH-R-BF** [White](#)

In stock White trim. Other trims available by custom order.

Project: \_\_\_\_\_  
 Location: \_\_\_\_\_  
 Qty: \_\_\_\_\_  
 Notes: \_\_\_\_\_

SPECIFICATION	
Applications	Renovations & New Construction
Energy Used	12 W
Color Temperature (K)	tunable from 2700K to 6500K
Light Output (lm)	average 880 lm
Halogen Equivalent	90 W
Beam Angle	110°
CRI	80
Driver Input	120V AC 50/60 Hz
Dimming	by app - compatible with all smart speakers
Junction Box Volume	9.69 cubic inches / Max 5 No 12 AWG or 8 No 14 AWG
Approved Location	Insulated Ceiling & Damp Locations
Air Tight	Yes
Ambient Temperature	-4°F (-20°C) to +104°F (+40°C)
Projected Life	70% Light Output at 50,000 Hours
Certification	cETLus
Warranty	3 Year

### INSTALLATION & SETUP INSTRUCTIONS

ACCESSORIES Sold Separately



[Flanged Plate with Hanger Bars - model # FRP6](#)



[13" Mounting Plate Flat model # MP6-2](#)



[26" Flat Rough-In Plates model # RIP6](#)



[Jumper Cable 10 ft. model # JC-10](#)



[Goof Ring White OD 7 5/8" model # GR6](#)



[Emergency Driver 8W 120-347V BLD-HM08D-YY](#)

### COMPLIANCE



Type IC  
 Air-Tight

### Lotus LED Lights USA

250 H Street # 301, Blaine WA 98230 tel 360-200-5500  
 Hainesport NJ, Naples FL, Vancouver WA

[www.LotusLEDLights.com](http://www.LotusLEDLights.com)

mailing addresses  
 warehouses

### Lotus LED Lights CANADA

1080 Cliveden Ave # 6, Delta BC V3M 6G6 tel 604-538-3090  
 Delta BC, Mississauga ON