



LED-S9W

4" Ultra Slim Round Recessed LED 9W

Type IC & Air-Tight



DESCRIPTION

4" Round Recessed LED With Integral Driver In Connection Box
Single Color or 5 CCT

FEATURES & BENEFITS

- 1/2" Thick - Install Directly Under Ceiling Joists
- Type IC Rated - No Housing Required
- Driver Inside Connection Box - No Junction Box Needed
- 5 CCT Switchable Option - User Selectable Light Colors

DIMENSIONS

ID 4" OD 5" Cut Out 4 1/8" to 4 1/4"

Fixture Thickness: 1/2"

120V Triac Dimmable Driver Included

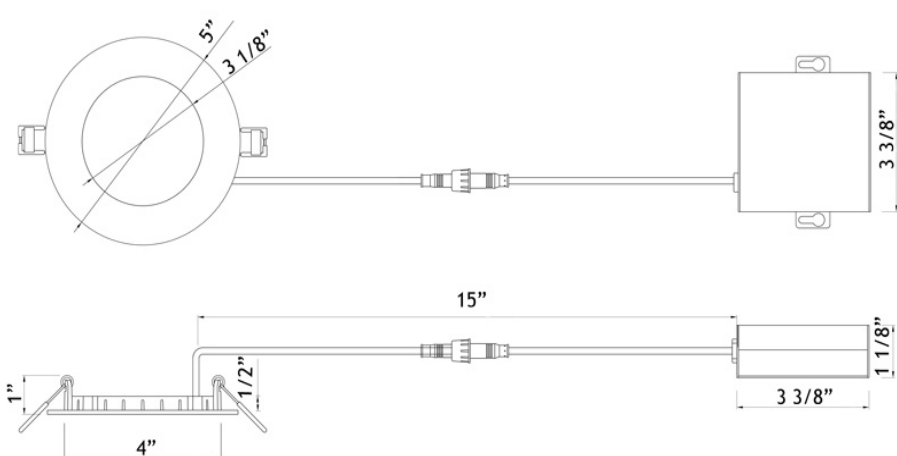
Project: _____

Location: _____

Model: _____ Qty: _____

Notes: _____

SPECIFICATION	
Applications	Renovations & New Construction
Energy Used	9 W
Color Temperature (K)	3000 4000 5CCT : 2700 - 3000 - 3500 - 4000 - 5000
Light Output (lm)	600 620 5CCT : 620 - 650 - 690 - 680 - 660
Halogen Equivalent	60 W
Beam Angle	120°
CRI	80
Driver Input	120V AC 50/60 Hz
Dimming	TRIAC Dimmers 10% - 100%
Junction Box Volume	9.69 cubic inches / Max 5 No 12 AWG or 8 No 14 AWG
Approved Location	Insulated Ceiling & Damp Locations
Air Tight	Yes
Ambient Temperature	-4°F (-20°C) to +104°F (+40°C)
Projected Life	70% Light Output at 50,000 Hours
Certification	cETLus, Energy Star
Warranty	3 Year



5 CCT Option



5 Light Colors
User Selectable
2700K | 3000K | 3500K
4000K | 5000K

ORDERING GUIDE

	CCT	Trim	Packaging
LED-S9W-3K-WH	3000K	White	single
LED-S9W-4K-WH	4000K	White	single
LED-S9W-5CCT-WH	5CCT	White	single
LED-S9W-5CCT-WH-6P	5CCT	White	6 pack



Stock trim - White. Other Trim Colors Available By Custom Order

ACCESSORIES

Sold Separately



[13" Mounting Plate Flat model # MP4-2](#)



[13" Mounting Plate Flanged model # MP4](#)



[26" Flat Rough-In Plates model # RIP412](#)



[Flanged Plate with Hanger Bars model # FRP4](#)



[Jumper Cable 10 ft. Single CCT Model # JC-10](#)



[Jumper Cable 10 ft. 5 CCT Model # JC-5CCT-10](#)



[Goof Ring White OD 5 3/4" model # GR4](#)

Lotus LED Lights USA

250 H Street # 301, Blaine WA 98230 tel 360-200-5500
Hainesport NJ, Naples FL, Dallas TX, Vancouver WA

www.LotusLEDLights.com

mailing addresses
warehouses

Lotus LED Lights CANADA

702 Chester Rd, Delta BC V3M 6J1 tel 604-538-3090
Delta BC & Mississauga ON