



LFR-4S-FE-9W-5CCT

4" Square Fire Rated Flat Edgelit LED 9W 5CCT



2 HOUR FIRE RATING
Tested to comply with UL 263,
ASTM E119 & CAN ULC S101

DESCRIPTION

4" Square Fire Rated Ultra Slim Recessed LED 5CCT 9W
With Integral Driver In Connection Box

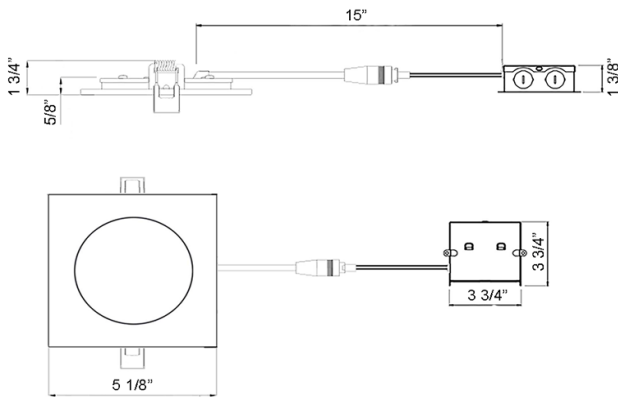
FEATURES & BENEFITS

- 2 Hour Fire Rated** without additional housing or hardware
- Type IC, Air-Tight & Wet Location** - No Housing Required
- All Steel Heat Resistant Casing** provides up to 2 Hour Fire Protection
- Intumescent Gasket** for additional sealing in case of fire
- Heavy Duty Steel Spring Clips** for secure installation
- 5/8" Thin** - Install in Limited Ceiling Spaces
- 1 1/2" Spring Height** for installations on 2 x 5/8" drywall
- Plenum Rated Cable** for Commercial Installations
- Driver Inside Connection Box** - No Junction Box Needed
- 5 CCT** User Selectable Light Colors
- CRI 90+** for True Color Rendering

DIMENSIONS ID 4" OD 5 1/8" Square Cut Out 4" to 4 1/4"

Fixture Thickness: 5/8"

120V Triac Dimmable Driver Included



Project: _____

Location: _____

Qty: _____

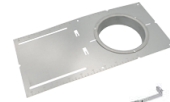
Notes: _____

SPECIFICATION	
Applications	Multi-Family Residential, Basements & Commercial
Energy Used	9 W
Color Temperature (K)	2700 - 3000 - 3500 - 4000 - 5000
Light Output (lm)	840 - 870 - 870 - 860 - 810
Halogen Equivalent	75 W
Beam Angle	110°
CRI	90+
Driver Input	120V AC 50/60 Hz
Dimming	TRIAC Dimmers 10% - 100%
Junction Box Volume	9.69 cubic inches / Max 5 No 12 AWG or 8 No 14 AWG
Approved Location	Insulated Ceiling & Wet Locations
Cable	FT6 / CMP Plenum Rated
Air Tight & Type IC	Yes
Ambient Temperature	-4°F (-20°C) to +104°F (+40°C)
Projected Life	70% Light Output at 50,000 Hours
Certification	cETLus
Fire Rating	UL 263-2011(R2022), STM E119-20 & CAN/ULC-S101-14
Warranty	3 Year



ACCESSORIES

Sold Separately



[1 1/4" Flanged Rough-In Plate model # MP4-114FR](#)



[Flanged Plate with Hanger Bars model # FRP4](#)



[26" Flat Rough-In Plates model # RIP4](#)



[13" Mounting Plate Flat model # MP4-2](#)



[Jumper Cable 10 ft. 5 CCT Model # FR-JC-5CCT-10](#)

ORDERING GUIDE

	CCT	Trim
LFR-4S-FE-9W-5CCT	5CCT	White
5CCT: 2700 - 3000 - 3500 - 4000 - 5000K		

INSTRUCTIONS FOR PROPER ASSEMBLY

Cut a circular opening in the gypsum ceiling such that the annular fire space between the ceiling membrane and the fixture does not exceed 1/8 inch. Ensure penetrations do not exceed 100 square inches in any 100 square feet of ceiling area. Install with a minimum separation of 4 feet between units. Maintain a minimum 1 inch space between the edge of the fixture and closest structural member.

Lotus LED Lights USA
250 H Street # 301, Blaine WA 98230 tel 360-200-5500
Hainesport NJ, Naples FL, Vancouver WA

www.LotusLEDLights.com
mailing addresses
warehouses

Lotus LED Lights CANADA
1080 Cliveden Ave # 6, Delta BC V3M 6G6 tel 604-538-3090
Delta BC & Mississauga ON