



LFR-6R-RB-14W-5CCT

6" Round Fire Rated Regressed Backlit LED 14W 5CCT

Project: _____

Location: _____

Qty: _____

Notes: _____

DESCRIPTION

6" Round Fire Rated Regressed Backlit LED 5CCT 14W

With Integral Driver In Connection Box



2 HOUR FIRE RATING
Tested to comply with UL 263,
ASTM E119 & CAN ULC S101

FEATURES & BENEFITS

2 Hour Fire Rated without additional housing or hardware

Type IC, Air-Tight & Wet Location

All Steel Heat Resistant Casing provides up to 2 Hour Fire Protection

Intumescent Gasket for additional sealing in case of fire

Heavy Duty Steel Spring Clips for secure installation

3/8" Regressed for reduced glare

1 1/2" Spring Height for installations on 2 x 5/8" drywall

1 1/4" Thick - Install in Limited Ceiling Spaces

Plenum Rated Cable for Commercial Installations

Driver Inside Connection Box - No Junction Box Needed

5 CCT User Selectable Light Colors

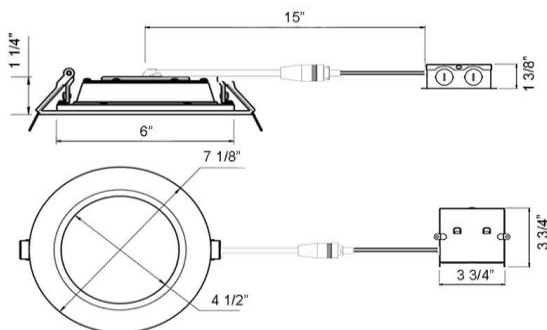
CRI 90+ for True Color Rendering

Backlit for even higher efficiency **up to 125 lm/W**

DIMENSIONS ID 6" OD 7 1/8" Cut Out 6" to 6 1/4"

Fixture Thickness: 1 1/4"

120V Triac Dimmable Driver Included



ORDERING GUIDE

	CCT	Trim
LFR-6R-RB-14W-5CCT	5CCT	White
5CCT: 2700 - 3000 - 3500 - 4000 - 5000K		

INSTRUCTIONS FOR PROPER ASSEMBLY

Cut a circular opening in the gypsum ceiling such that the annular space between the ceiling membrane and the fixture does not exceed 1/8 inch.

Ensure penetrations do not exceed 100 square inches in any 100 square feet of ceiling area. Install with a minimum separation of 4 feet between units.

Maintain a minimum 1 inch space between the edge of the fixture and closest structural member.

SPECIFICATION

	SPECIFICATION
Applications	Multi-Family Residential, Basements & Commercial
Energy Used	14 W
Color Temperature (K)	2700 - 3000 - 3500 - 4000 - 5000
Light Output (lm)	1590 - 1610 - 1680 - 1750 - 1690
Halogen Equivalent	150 W
Beam Angle	100°
CRI	90+
Driver Input	120V AC 50/60 Hz
Dimming	TRIAC Dimmers 10% - 100%
Junction Box Volume	9.69 cubic inches / Max 5 No 12 AWG or 8 No 14 AWG
Approved Location	Insulated Ceiling & Wet Locations
Cable	FT6 / CMP Plenum Rated
Air Tight & Type IC	Yes
Ambient Temperature	-4°F (-20°C) to +104°F (+40°C)
Projected Life	70% Light Output at 50,000 Hours
Certification	cETLus
Fire Rating	UL 263-2011(R2022), STM E119-20 & CAN/ULC-S101-14
Warranty	3 Year



ACCESSORIES

Sold Separately



[1 1/4" Flanged Rough-In Plate model # MP6-114FR](#)



[Flanged Plate with Hanger Bars - model # FRP6](#)



[13" Mounting Plate Flat model # MP6-2](#)



[26" Flat Rough-In Plates model # RIP6](#)



[Jumper Cable 10 ft. 5 CCT Model # FR-JC-5CCT-10](#)



[Emergency Driver 8W 120-347V BLD-HM08D-YYY](#)

Lotus LED Lights USA

250 H Street # 301, Blaine WA 98230 tel 360-200-5500
Hainesport NJ, Naples FL, Vancouver WA

www.LotusLEDLights.com

mailing addresses
warehouses

Lotus LED Lights CANADA

1080 Cliveden Ave # 6, Delta BC V3M 6G6 tel 604-538-3090
Delta BC & Mississauga ON