

Type IC, Air-Tight & Wet



DESCRIPTION

Recessed 10" Round LED With Integral Driver In Connection Box
Commercial Grade Quality

FEATURES & BENEFITS

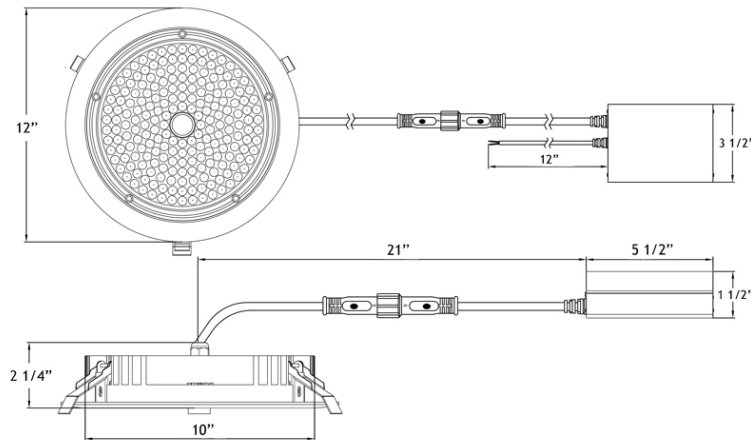
- 2 1/4" Thin - Fits In Tight Ceiling Spaces
- Type IC Rated - No Housing Required
- Fast & Easy To Install - Save On Labour
- Driver Inside Connection Box - No Junction Box Needed
- Wet Location IP65 Approved

MOUNTING

Cut Hole In Ceiling And Snap Fixture In Opening With Attached Spring Clips.
2 1/4" Above Ceiling Clearance Required. Quick connectors Included.

DIMENSIONS

ID 10" OD 12" Cut Out 10" to 11"



Project: _____

Location: _____

Trim Finish: _____ Qty: _____

Notes: _____

SPECIFICATION	
Applications	Recessed Ceiling Mount
Energy Used	50 W
Colour Temperature	3000 K
Light Output	6300 lm
Equivalent	100 W MH HPS
Beam Angle	60°
CRI	80 +
Input Voltage	120-277 V AC or 347 V AC
Power Factor	0.96
Dimming	0-10 V
Approved Location	Insulated Ceilings, Wet Locations
IP Rating	IP 65
Air Tight	Yes
Ambient Temperature	-40° F (-40° C) to +104° F (+40° C)
Projected Life	70% Light Output at 50,000 Hours
Certification	cULus, Energy Star
Warranty	5 Year

Driver Included

Cable Rating FT4 / CM



Available Trims



COMPLIANCE



Warehouses

Vancouver Toronto Las Vegas Naples Philadelphia Dallas Seattle Chicago Denver

tel: 1-844-24-LOTUS (56887)

fax: 1-877-561-6306

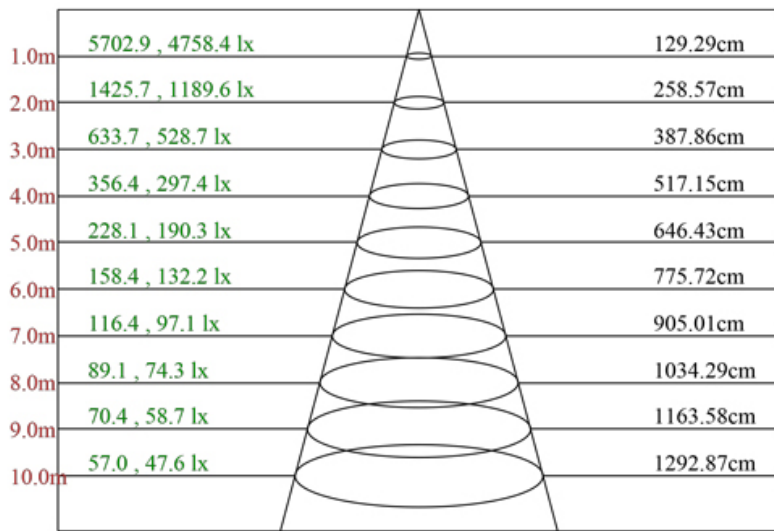
www.lotusLEDlights.com

CHARACTERISTICS

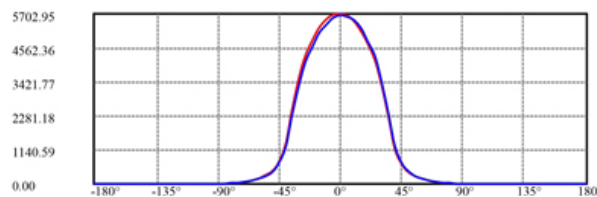
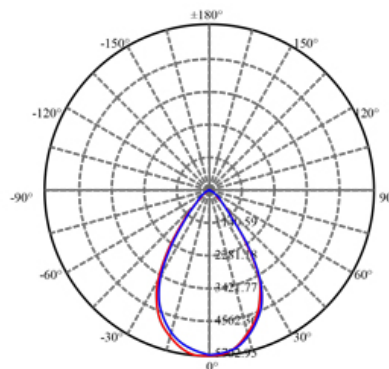
Body: Durable, Die Cast Aluminum Alloy for Optimal Heat Dissipation.
Paint: Oil Based Spray Painted - Scratch Resistant And Smooth Finish.
LEDs: 204 Pieces Of Custom Packaged LM80 Epistar 2835 with CRI80.
 Guaranteed 98% Lumen Maintenance After 6,000 Hours.
 Strict Binning To Ensure Consistent Light Colour.
Driver: In House Designed & Produced. Dimmable 0-10V. Input 120-277V V, or 347V
Connection Box: Patented Invention By Lotus LED Lights.
 Saves Contractors Labour On Installation.
Testing: Every Single Driver Is Powered For Minimum 24 Hours
 Together With The Fixture That It Is Shipped With. No Random Tests.

PHOTOMETRIC DATA

MODEL: LL10R-30K LAMP FLUX: 6304 LM
 VOLTAGE: 120 V LUMENS / POWER: 126 LM/W
 POWER: 49.86 W CENTRAL INTENSITY: 5703 CD
 PF: 0.96 BEAM ANGLE: 65 DEGREES



Max , Ave Beam angle of C0plane65.75



ORDERING GUIDE

Example: LL10R - 30K - WH

LL10R - 30K - Trim Finish
 WH : White
 BK : Black

ACCESSORIES



347V Driver cat # LLL-LD50WH
 Dimmable 0-10V

Goof Plates for covering 12" and 14" square holes available as custom order



Warehouses
 Vancouver Toronto Las Vegas Naples Philadelphia Dallas Seattle Chicago Denver

tel: 1-844-24-LOTUS (56887)

fax: 1-877-561-6306

www.lotusLEDlights.com