

Type IC, Air-Tight & Wet



DESCRIPTION

Recessed 10" Round LED With Integral Driver In Connection Box
Commercial Grade Quality

FEATURES & BENEFITS

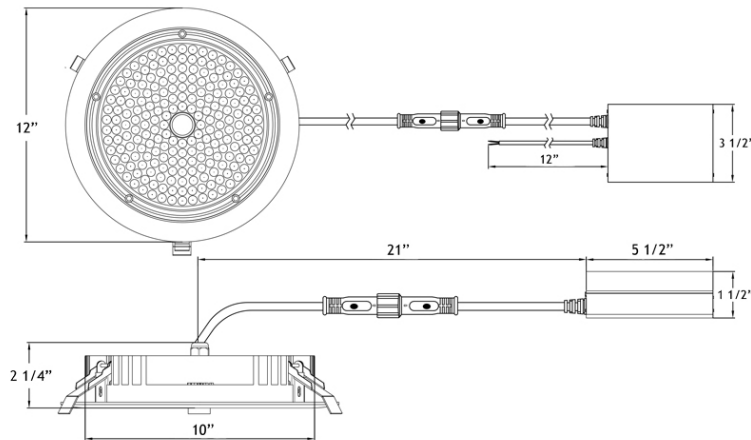
- 2 1/4" Thin - Fits In Tight Ceiling Spaces
- Type IC Rated - No Housing Required
- Fast & Easy To Install - Save On Labour
- Driver Inside Connection Box - No Junction Box Needed
- Wet Location IP65 Approved

MOUNTING

Cut Hole In Ceiling And Snap Fixture In Opening With Attached Spring Clips.
2 1/4" Above Ceiling Clearance Required. Quick connectors Included.

DIMENSIONS

ID 10" OD 12" Cut Out 10" to 11"



COMPLIANCE



Project: _____

Location: _____

Trim Finish: _____

Qty: _____

Notes: _____

SPECIFICATION

| SPECIFICATION | |
|---------------------|-------------------------------------|
| Applications | Recessed Ceiling Mount |
| Energy Used | 50 W |
| Colour Temperature | 4000 K |
| Light Output | 6700 lm |
| Equivalent | 100 W MH HPS |
| Beam Angle | 60° |
| CRI | 80 + |
| Input Voltage | 120-277 V AC or 347 V AC |
| Power Factor | 0.96 |
| Dimming | 0-10 V |
| Approved Location | Insulated Ceilings, Wet Locations |
| IP Rating | IP 65 |
| Air Tight | Yes |
| Ambient Temperature | -40° F (-40° C) to +104° F (+40° C) |
| Projected Life | 70% Light Output at 50,000 Hours |
| Certification | cULus, Energy Star |
| Warranty | 5 Year |

Driver Included

Cable Rating FT4 / CM



Available Trims



White



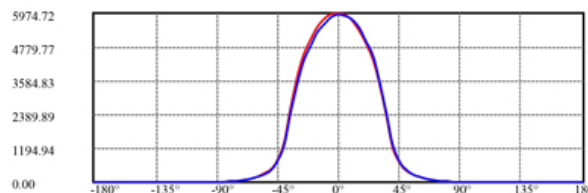
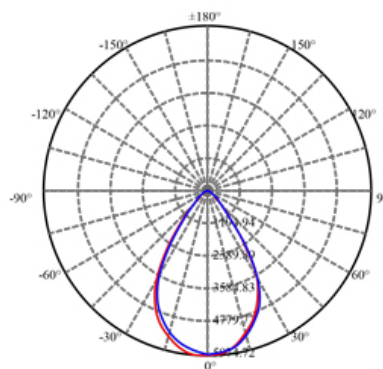
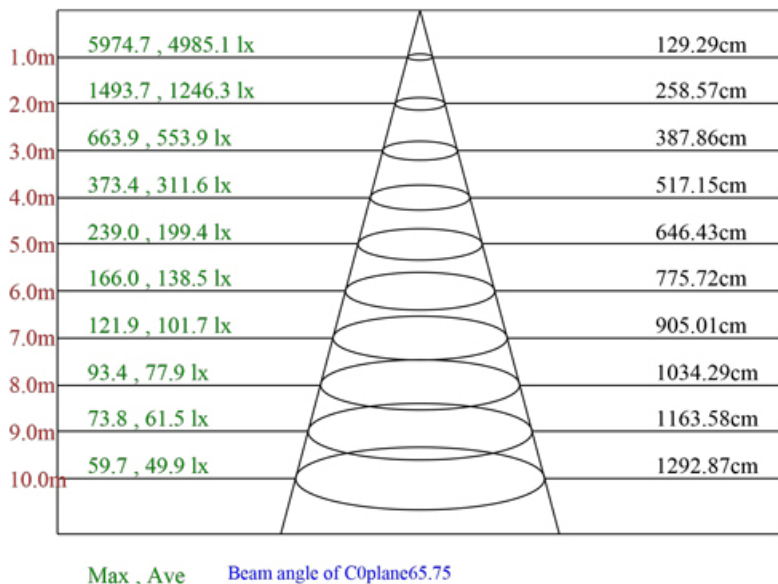
Black

CHARACTERISTICS

Body: Durable, Die Cast Aluminum Alloy for Optimal Heat Dissipation.
Paint: Oil Based Spray Painted - Scratch Resistant And Smooth Finish.
LEDs: 204 Pieces Of Custom Packaged LM80 Epistar 2835 with CRI80.
 Guaranteed 98% Lumen Maintenance After 6,000 Hours.
 Strict Binning To Ensure Consistent Light Colour.
Driver: In House Designed & Produced. Dimmable 0-10V. Input 120-277V V, or 347V
Connection Box: Patented Invention By Lotus LED Lights.
 Saves Contractors Labour On Installation.
Testing: Every Single Driver Is Powered For Minimum 24 Hours
 Together With The Fixture That It Is Shipped With. No Random Tests.

PHOTOMETRIC DATA

MODEL: LL10R-40K LAMP FLUX: 6604 LM
 VOLTAGE: 120 V LUMENS / POWER: 132 LM/W
 POWER: 49.86 W CENTRAL INTENSITY: 5975 CD
 PF: 0.96 BEAM ANGLE: 65 DEGREES



ORDERING GUIDE

Example: LL10R - 40K - WH

LL10R - 40K - Trim Finish
 WH : White
 BK : Black

ACCESSORIES



347V Driver cat # LLL-LD50WH
 Dimmable 0-10V

Goof Plates for covering 12" and 14" square holes available as custom order



Warehouses

Vancouver Toronto Las Vegas Naples Philadelphia Dallas Seattle Chicago Denver

tel: 1-844-24-LOTUS (56887) fax: 1-877-561-6306 www.lotusLEDlights.com