



LL10R

10" Round Commercial Recessed LED 50W



Type IC, Air-Tight & Wet

DESCRIPTION

10" Round Recessed LED With Integral Driver In Connection Box
Commercial Grade Quality Built to Last

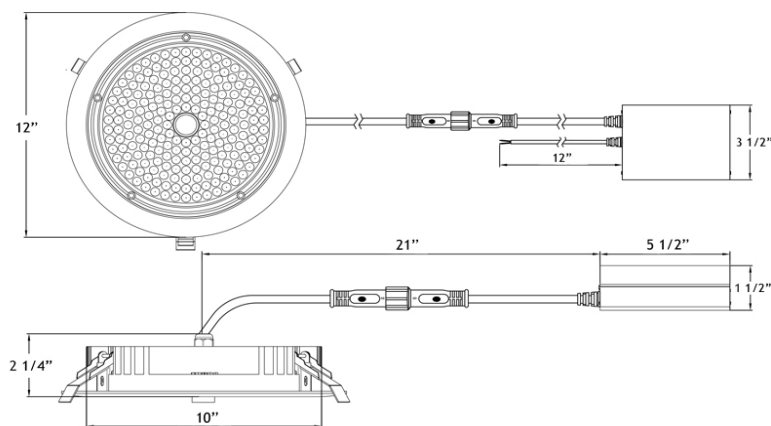
FEATURES & BENEFITS

2 1/4" Deep - Install Where Ceiling Space Is Limited
Type IC Rated - No Housing Required
Fast & Easy To Install - Save On Labor
Driver Inside Connection Box - No Junction Box Needed
Wet Location IP65 Approved

MOUNTING

Cut Hole In Ceiling And Snap Fixture In Opening With Attached Spring Clips. Ceiling Clearance Required: 2 1/4"

DIMENSIONS: ID 10" OD 12" Cut Out 10" to 11"



120V - 277V Driver Included 0-10V Dimmable



ORDERING GUIDE

	CCT	Trim
LL10R-30K-WH	3000K	White
LL10R-40K-WH	4000K	White
LL10R-30K-BK	3000K	Black
LL10R-40K-BK	4000K	Black

Project: _____

Location: _____

Model #: _____ Qty: _____

Notes: _____

SPECIFICATION	
Applications	High Ceilings Recessed Mount
Energy Used	50 W
Color Temperature K	3000 4000
Light Output lm	6500 6700
Equivalent	100 W MH HPS
Beam Angle	60°
CRI	80
Default Driver Input	120V-277V AC 0-10V Dimmable
Optional Driver Input	347V AC 0-10V Dimmable
Power Factor	0.95
Junction Box Wire Capacity	Max 5 No 12 AWG or 8 No 14 AWG
Approved Location	Insulated Ceilings, Wet Locations
IP Rating	IP 65
Air Tight	Yes
Ambient Temperature	-40°F (-40°C) to +104°F (+40°C)
Projected Life	70% Light Output at 50,000 Hours
Certification	cULus
Warranty	5 Year

AVAILABLE TRIMS



White



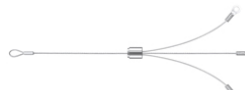
Black

ACCESSORIES

Sold Separately



Low Voltage Extensions 6ft FT4 / CMR rated
[model # BCX6](#)



Pendant Mount Kit [model # PMK810](#)
Includes Aircraft Cable & 6ft Extension



347V Input Driver 0-10V Dimmable
[model # LLL-LD50WH](#)



Goof Ring White OD 10 1/2"
[model # GR810](#)



Goof Ring Square White ID 10 1/2"
[OD14" model# GS10-14](#)
[OD16" model# GS10-16](#)

COMPLIANCE



Type IC
Air-Tight
Wet Location

Lotus LED Lights USA

250 H Street # 301, Blaine WA 98230 tel 360-200-5500
Hainesport NJ, Naples FL, Dallas TX, Vancouver WA

www.LotusLEDLights.com

mailing addresses
warehouses

Lotus LED Lights CANADA

702 Chester Rd, Delta BC V3M 6J1 tel 604-538-3090
Delta BC & Mississauga ON