

Type IC, Wet & Air-Tight



DESCRIPTION

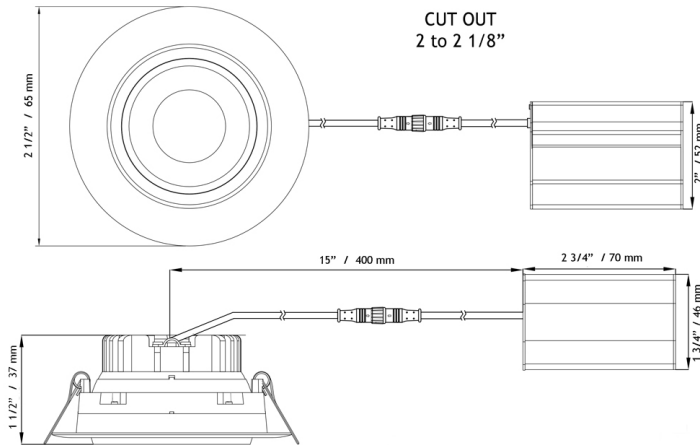
Recessed 2" Gimbal Round LED With Integral Driver In Connection Box.
Fits Where No Other Recessed Fixture Can.
Unique Design: Gimbal Yet Air-Tight Without Housing Needed.

FEATURES & BENEFITS

1 1/2" Thin - Install Where Ceiling Space Is Limited.
Type IC Rated - No Housing Required
Fast & Easy To Install - Save On Labour
Driver Inside Connection Box - No Junction Box Needed
Directional Beam - Great for Sloped Ceilings and Highlighting Artwork
CRI 92 - True Colour Rendering

MOUNTING

Cut Hole In Ceiling And Snap Fixture In Opening With Attached Spring Clips.
Ceiling Clearance Required: 1 1/2" with driver remotely installed,
5" if driver is next to the fixture.



Project: _____

Location: _____

Trim Finish: _____ Qty: _____

Notes: _____

SPECIFICATION	
Applications	Cabinets, Recessed Alcoves
Energy Used	5 W
Colour Temperature	3000 K
Light Output	400 lm
Halogen Equivalent	35 W
Beam Angle	24° Beam with 20° tilt and 360° rotation
CRI	92
Driver Input	120V AC 50/60 Hz
Power Factor	0.95
Dimming	TRIAC Dimmers 5% - 100%
Approved Location	Insulated Ceiling & Wet Locations
Air Tight	Yes
Ambient Temperature	-40° F (-40° C) to +104° F (+40° C)
Projected Life	70% Light Output at 50,000 Hours
Certification	cULus, Energy Star, T24
Warranty	10 Year on Residential 5 Year on Commercial Applications

Driver Included

Available Trims:



White



Black



Brushed Nickel

COMPLIANCE



White

Warehouses

Vancouver

Toronto

Las Vegas

Naples

Philadelphia

Dallas

Seattle

tel: 1-844-24-LOTUS (56887)

fax: 1-877-561-6306

www.lotusLEDlights.com

CHARACTERISTICS

- Unique Design:** Gimbal with 20° tilt and 360° rotation, Yet Air-Tight Without Housing Needed. Patent Pending.
- Body:** Durable, Die Cast Aluminum Alloy for Optimal Heat Dissipation.
- Paint:** Oil Based Spray Painted - Scratch Resistant And Smooth Finish.
- LED:** Epistar COB Custom Packaged by Hongli Tronic with LM80.
- Guaranteed 98% Lumen Maintenance After 6,000 Hours.
- Strict Binning To Ensure Consistent Light Colour. CRI 92 for True and Colour Rendering.
- Driver:** 4th Generation Lotus Designed. Field Proven Since 2011.
- Connection Box:** Patented Invention By Lotus LED Lights.
- Saves Contractors Labour On Installation.
- Testing:** Every Single Driver Is Powered For Minimum 24 Hours Together With The Fixture That It Is Shipped With. No Random Tests - We Hand Test Every Fixture & Driver.

Lighting facts
A Program of the U.S. DOE

Light Output (Lumens)	400
Watts	5
Lumens per Watt (Efficacy)	80
Color Accuracy Color Rendering Index (CRI)	92
Light Color Correlated Color Temperature (CCT)	3000 (Bright White)

Color temperature scale: 2700K (Warm White), 3000K (Bright White), 4500K (Daylight), 6500K

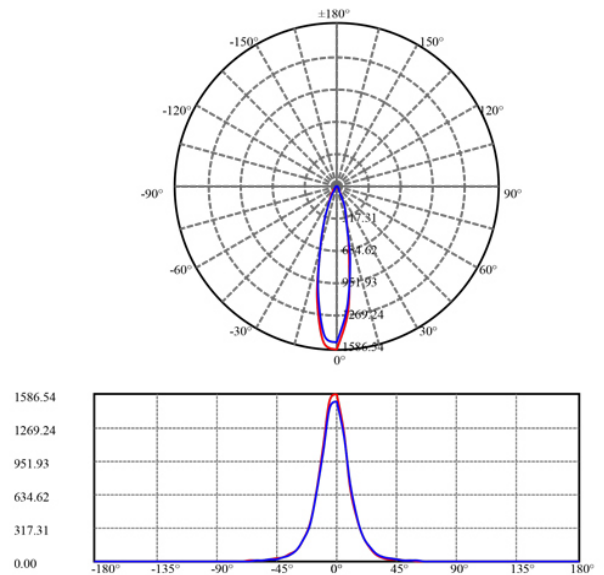
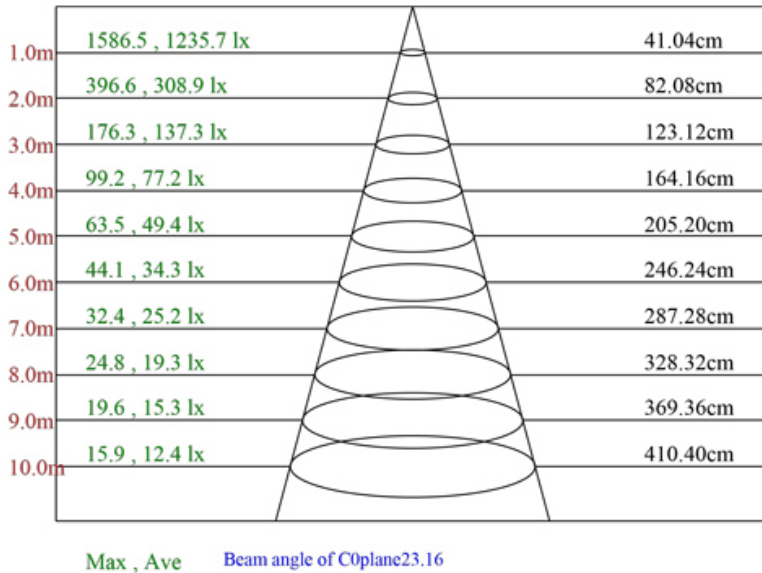
All results are according to IESNA LM-79-2008: Approved Method for the Electrical and Photometric Testing of Solid-State Lighting. The U.S. Department of Energy (DOE) verifies product test data and results.

Visit www.lightingfacts.com for the Label Reference Guide.

Registration Number: K53C-NQVCBK (12/27/2016)
Model Number: LL2G-30K
Type: Luminaire - Downlight

PHOTOMETRIC DATA OF A LAB TESTED SAMPLE

MODEL:	LL2G-30K	LAMP FLUX:	401 LM
VOLTAGE:	120 V	LUMENS / POWER:	80 LM/W
POWER:	4.98 W	CENTRAL INTENSITY:	1586 CD
PF:	0.94	BEAM ANGLE:	24 DEGREES



ORDERING GUIDE

Example: LL2G - 30K - WH

LL2G - 30K - Trim Finish
 WH : White
 BK : Black
 BN : Brushed Nickel

ACCESSORIES

Sold Separately



Low Volage Extension Cables
 6ft - cat # EXC6, 20ft - cat # EXC20
 Max 40 ft Extension Allowed



Warehouses

Vancouver Toronto Las Vegas Naples Philadelphia Dallas Seattle

tel: 1-844-24-LOTUS (56887)

fax: 1-877-561-6306

www.lotusLEDlights.com