

Type IC & Air-Tight



DESCRIPTION

Recessed 2" Gimbal Round LED With Integral Driver In Connection Box.
Fits Where No Other Recessed Fixture Can.
Unique Design: Gimbal Yet Air-Tight Without Housing Needed.

FEATURES & BENEFITS

1 1/2" Thin - Install Where Ceiling Space Is Limited.
Type IC Rated - No Housing Required
Fast & Easy To Install - Save On Labour
Driver Inside Connection Box - No Junction Box Needed
Directional Beam - Great for Sloped Ceilings and Highlighting Artwork
CRI 93 - True Colour Rendering

MOUNTING

Cut Hole In Ceiling And Snap Fixture In Opening With Attached Spring Clips.
Ceiling Clearance Required: 1 1/2" with driver remotely installed,
5" if driver is next to the fixture.

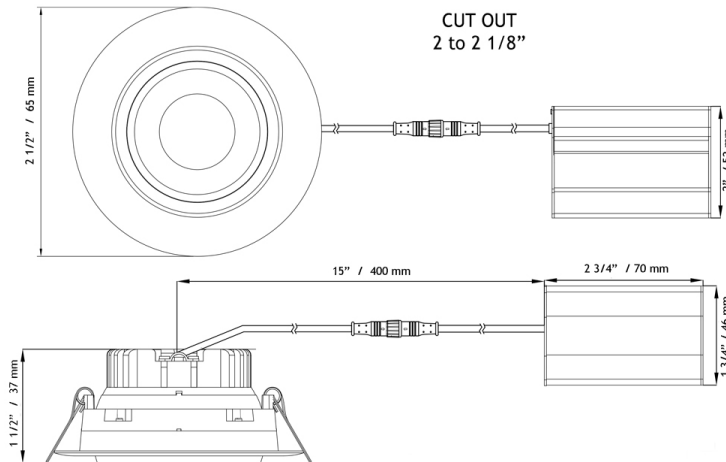
Project: _____

Location: _____

Trim Finish: _____ Qty: _____

Notes: _____

| SPECIFICATION | |
|---------------------|---|
| Applications | Cabinets, Recessed Alcoves |
| Energy Used | 5 W |
| Colour Temperature | 4100 K |
| Light Output | 430 lm |
| Halogen Equivalent | 35 W |
| Beam Angle | 24° Beam with 20° tilt and 360° rotation |
| CRI | 93 |
| Driver Input | 120V AC 50/60 Hz |
| Power Factor | 0.95 |
| Dimming | TRIAC Dimmers 5% - 100% |
| Approved Location | Insulated Ceiling & Damp Locations |
| Air Tight | Yes |
| Ambient Temperature | -40° F (-40° C) to +104° F (+40° C) |
| Projected Life | 70% Light Output at 50,000 Hours |
| Certification | cULus, Energy Star, T24 |
| Warranty | 10 Year on Residential 5 Year on Commercial Applications |



Driver Included

Available Trims:

COMPLIANCE



White

Black

Brushed Nickel

Warehouses

Vancouver

Toronto

Las Vegas

Naples

Philadelphia

Dallas

Seattle

CHARACTERISTICS

Unique Design: Gimbal with 20° tilt and 360° rotation, Yet Air-Tight Without Housing Needed. Patent Pending.

Body: Durable, Die Cast Aluminum Alloy for Optimal Heat Dissipation.

Paint: Oil Based Spray Painted - Scratch Resistant And Smooth Finish.

LED: Epistar COB Custom Packaged by Hongli Tronic with LM80.

Guaranteed 98% Lumen Maintenance After 6,000 Hours.

Strict Binning To Ensure Consistent Light Colour. CRI 93 for True and Colour Rendering.

Driver: 4th Generation Lotus Designed. Field Proven Since 2011.

Connection Box: Patented Invention By Lotus LED Lights.

Saves Contractors Labour On Installation.

Testing: Every Single Driver Is Powered For Minimum 24 Hours Together With The Fixture That It Is Shipped With. No Random Tests - We Hand Test Every Fixture & Driver.

LED lighting facts
A Program of the U.S. DOE

| | |
|---|---------------------|
| Light Output (Lumens) | 430 |
| Watts | 5 |
| Lumens per Watt (Efficacy) | 86 |
| Color Accuracy Color Rendering Index (CRI) | 93 |
| Light Color Correlated Color Temperature (CCT) | 4000 (Bright White) |

Warm White 2700K | Bright White 3000K | Daylight 4500K | 6500K

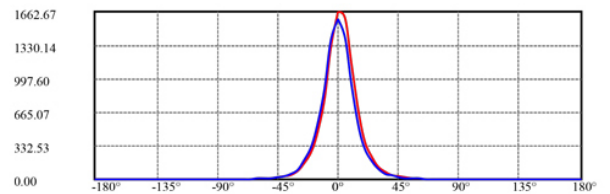
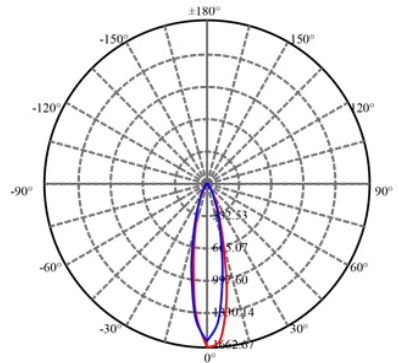
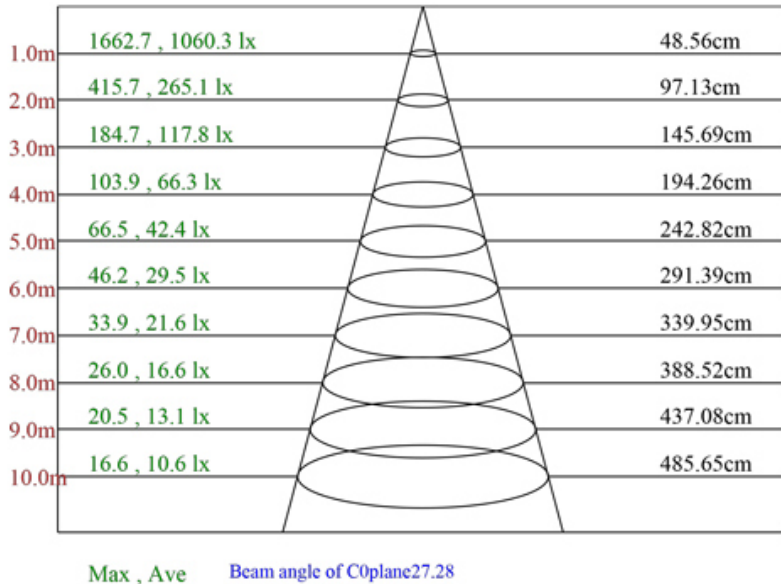
All results are according to IESNA LM-79-2008: Approved Method for the Electrical and Photometric Testing of Solid-State Lighting. The U.S. Department of Energy (DOE) verifies product test data and results.

Visit www.lightingfacts.com for the Label Reference Guide.

Registration Number: K53C-216PBK (12/27/2016)
Model Number: LL2G-41K
Type: Luminaire - Downlight

PHOTOMETRIC DATA OF A LAB TESTED SAMPLE

| | | | |
|----------|----------|--------------------|------------|
| MODEL: | LL2G-41K | LAMP FLUX: | 438 LM |
| VOLTAGE: | 120 V | LUMENS / POWER: | 88 LM/W |
| POWER: | 4.98 W | CENTRAL INTENSITY: | 1662 CD |
| PF: | 0.95 | BEAM ANGLE: | 27 DEGREES |



ORDERING GUIDE

Example: LL2G - 41K - WH

LL2G - 41K - Trim Finish

WH : White
BK : Black
BN : Brushed Nickel

ACCESSORIES

Sold Separately



Low Volage Extension Cables
6ft - cat # EXC6, 20ft - cat # EXC20
Max 40 ft Extension Allowed



Warehouses

Vancouver Toronto Las Vegas Naples Philadelphia Dallas Seattle

tel: 1-844-24-LOTUS (56887)

fax: 1-877-561-6306

www.lotusLEDlights.com