

2" Eyeball Round Recessed Gimbal LED 5W



Type IC, Wet & Air-Tight

DESCRIPTION

2" Eyeball Round Recessed Gimbal LED
With Integral Driver In Connection Box
Unique & Patented Design:
Gimbal Yet Air-Tight Without Housing Needed

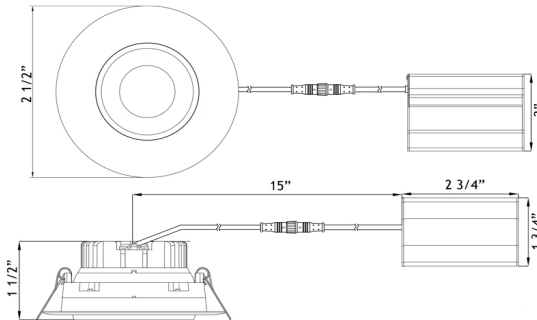
FEATURES & BENEFITS

1 1/2" Deep - Install Where Ceiling Space Is Limited
Type IC Rated - No Housing Required
Fast & Easy To Install - Save On Labor
Driver Inside Connection Box - No Junction Box Needed
Directional Beam - Great for Sloped Ceilings and Artwork
CRI 90+ for True Color Rendering

MOUNTING

Cut Hole In Ceiling And Snap Fixture In Opening
With Attached Spring Clips
Ceiling Clearance Required:
1 1/2" With Driver Remotely Installed
5" When Driver Is Next To The Fixture

DIMENSIONS: ID 2" OD 2 1/2" Cut Out 2" to 2 1/8"



Driver Included

Cable Rating FT4 / CMR



ORDERING GUIDE

Example: **LL2G - 30K - WH**

LL2G	Example: LL2G - 30K - WH		
	CCT	Trim Finish	
2700K	27K	WH	White
3000K	30K	BK	Black
4100K	41K	BN	Brushed Nickel

Project: _____

Location: _____

Cat #: _____ Qty: _____

Notes: _____

SPECIFICATION	
Applications	Cabinets, Recessed Alcoves
Energy Used	5 W
Color Temperature	2700 3000 4100
Light Output	380 400 430
Halogen Equivalent	35 W
Beam Angle	24° Beam with 30° tilt and 360° rotation
CRI	90 +
Driver Input	120V AC 50/60 Hz
Power Factor	0.95
Dimming	TRIAC Dimmers 5% - 100%
Approved Location	Insulated Ceiling & Wet Locations
IP Rating	IP 54
Air Tight	Yes
Ambient Temperature	-40°F (-40°C) to +104°F (+40°C)
Projected Life	70% Light Output at 50,000 Hours
Certification	cULus Energy Star T24
Warranty	10 Year on Residential 5 Year on Commercial Applications

AVAILABLE TRIMS



White



Black



Brushed Nickel

ACCESSORIES

Sold Separately



Low Voltage Extension Cables
6ft - cat # **EXC6**, 20ft - cat # **EXC20**
Max 40 ft Allowed. FT4 / CMR rated



Rough-In Plates - cat # **RIP2**

COMPLIANCE



**Type IC
Air-Tight**

USA Patent # US 10,344,952 B2 | Canada Patent # 2,967,954