

Type IC & Air-Tight



DESCRIPTION

24V Input Recessed 2" Gimbal Round LED.

Fits Where No Other Recessed Fixture Can.

Unique Design: Gimbal Yet Air-Tight Without Housing Needed.

FEATURES & BENEFITS

1 1/2" Thin - Install Where Ceiling Space Is Limited.

Type IC Rated - No Housing Required

Fast & Easy To Install - Save On Labour

Directional Beam - Great for Sloped Ceilings and Highlighting Artwork

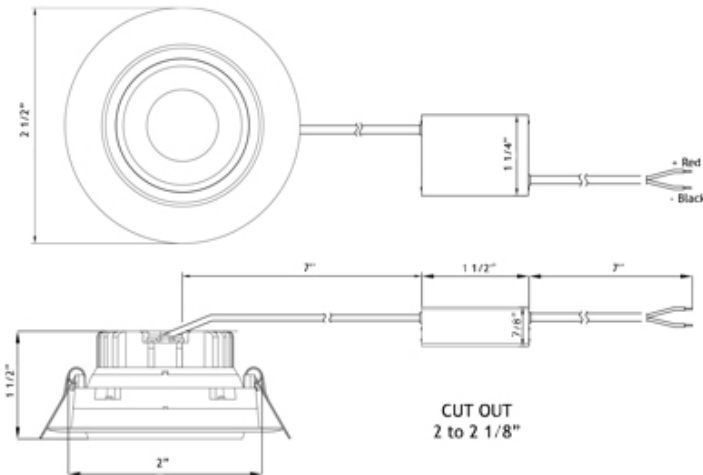
CRI 92 - True Colour Rendering

Possibility for low voltage wiring in the ceiling & multiple fixtures connected to one driver. Dimmable with compatible 24V power supplies.

MOUNTING

Cut Hole In Ceiling And Snap Fixture In Opening With Attached Spring Clips.

Ceiling Clearance Required: 1 1/2"



SPECIFICATION	
Applications	Cabinets, Recessed Alcoves
Energy Used	5 W
Colour Temperature	2700 K
Light Output	380 lm
Halogen Equivalent	35 W
Beam Angle	24° Beam with 20° tilt and 360° rotation
CRI	> 90
Input	24 V DC
Dimming	5% - 100% with compatible 24V Drivers
Approved Location	Insulated Ceiling, Wet & Damp Locations
Air Tight	Yes
Ambient Temperature	-40° F (-40° C) to +104° F (+40° C)
Projected Life	70% Light Output at 50,000 Hours
Certification	cULus
Warranty	5 Year

Every fixture comes with an external DC Module for regulating the voltage & current. Input of this DC Module is 24V.



COMPLIANCE



CHARACTERISTICS

Unique Design: Gimbal with 20° tilt and 360° rotation,

Yet Air-Tight Without Housing Needed. Patent Pending.

Body: Durable, Die Cast Aluminum Alloy for Optimal Heat Dissipation.

Paint: Oil Based Spray Painted - Scratch Resistant And Smooth Finish.

LED: Epistar COB Custom Packaged by Hongli Tronic with LM80.

Guaranteed 98% Lumen Maintenance After 6,000 Hours.

Strict Binning To Ensure Consistent Light Colour. CRI 92 for True Colour Rendering.

DC Module: 24V input DC Module connected to the fixture to regulate the voltage and current.

Dimmable with compatible 24V power supplies.

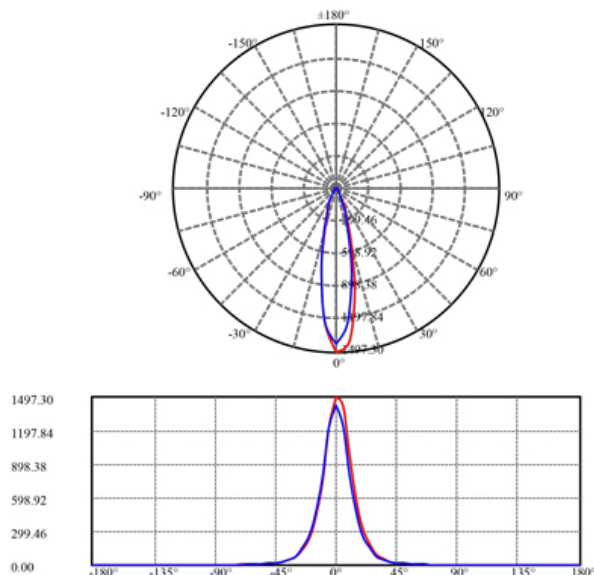
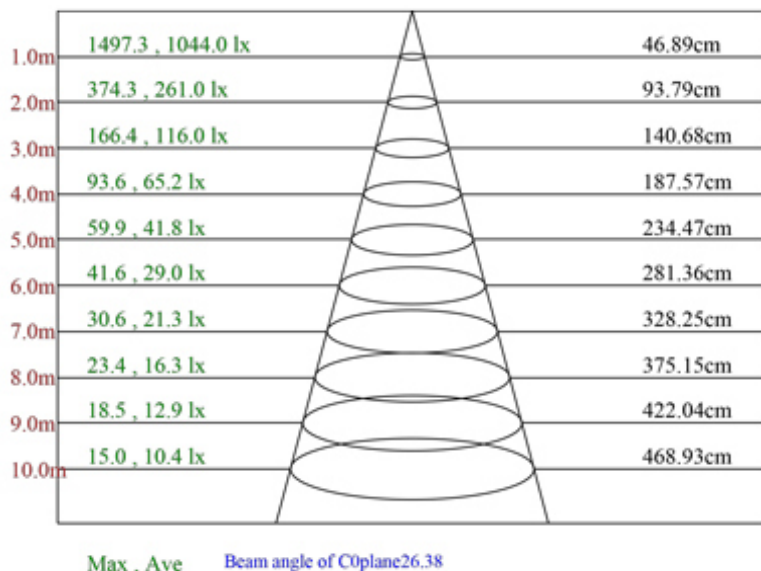
Provides possibility for low voltage wiring in the ceiling & multiple fixtures connected to one power supply.

Saves Contractors Labour On Installation.

Testing: Every Fixture and DC Module Is Powered For Minimum 24 Hours before packaging.

PHOTOMETRIC DATA OF A LAB TESTED SAMPLE

MODEL:	LL2G24V-27K	LAMP FLUX:	380 LM
VOLTAGE:	24 V DC	LUMENS / POWER:	80 LM/W
POWER:	4.7 W	CENTRAL INTENSITY:	1497 CD
PF:	0.95	BEAM ANGLE:	24 DEGREES



ORDERING GUIDE

LL2G - 27K - WH

Available Trims



White



Warehouses							
Vancouver	Toronto	Las Vegas	Naples	Philadelphia	Dallas	Seattle	
tel: 1-844-24-LOTUS (56887)			fax: 1-877-561-6306		www.lotusLEDlights.com		