

Type IC, Wet & Air-Tight



Project: _____

Location: _____

Qty: _____

Notes: _____

DESCRIPTION

24V Input Recessed 2" Gimbal Round LED.

Fits Where No Other Recessed Fixture Can.

Unique Design: Gimbal Yet Air-Tight Without Housing Needed.

FEATURES & BENEFITS

1 1/2" Thin - Install Where Ceiling Space Is Limited.

Type IC Rated - No Housing Required

Fast & Easy To Install - Save On Labour

Directional Beam - Great for Sloped Ceilings and Highlighting Artwork

CRI 92 - True Colour Rendering

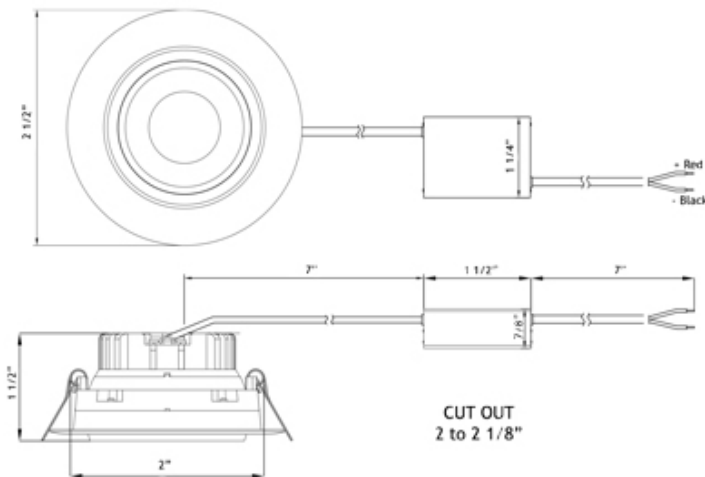
Possibility for low voltage wiring in the ceiling & multiple fixtures connected to one driver. Dimmable with compatible 24V power supplies.

MOUNTING

Cut Hole In Ceiling And Snap Fixture In Opening With Attached Spring Clips.

Ceiling Clearance Required: 1 1/2"

SPECIFICATION	
Applications	Cabinets, Recessed Alcoves
Energy Used	5 W
Colour Temperature	4100 K
Light Output	430 lm
Halogen Equivalent	35 W
Beam Angle	24° Beam with 20° tilt and 360° rotation
CRI	> 90
Input	24 V DC
Dimming	5% - 100% with compatible 24V Drivers
Approved Location	Insulated Ceiling, Wet & Damp Locations
Air Tight	Yes
Ambient Temperature	-40° F (-40° C) to +104° F (+40° C)
Projected Life	70% Light Output at 50,000 Hours
Certification	cULus
Warranty	5 Year



Every fixture comes with an external DC Module for regulating the voltage & current. Input of this DC Module is 24V.



COMPLIANCE



CHARACTERISTICS

Unique Design: Gimbal with 20° tilt and 360° rotation,

Yet Air-Tight Without Housing Needed. Patent Pending.

Body: Durable, Die Cast Aluminum Alloy for Optimal Heat Dissipation.

Paint: Oil Based Spray Painted - Scratch Resistant And Smooth Finish.

LED: Epistar COB Custom Packaged by Hongli Tronic with LM80.

Guaranteed 98% Lumen Maintenance After 6,000 Hours.

Strict Binning To Ensure Consistent Light Colour. CRI 92 for True Colour Rendering.

DC Module: 24V input DC Module connected to the fixture to regulate the voltage and current.

Dimmable with compatible 24V power supplies.

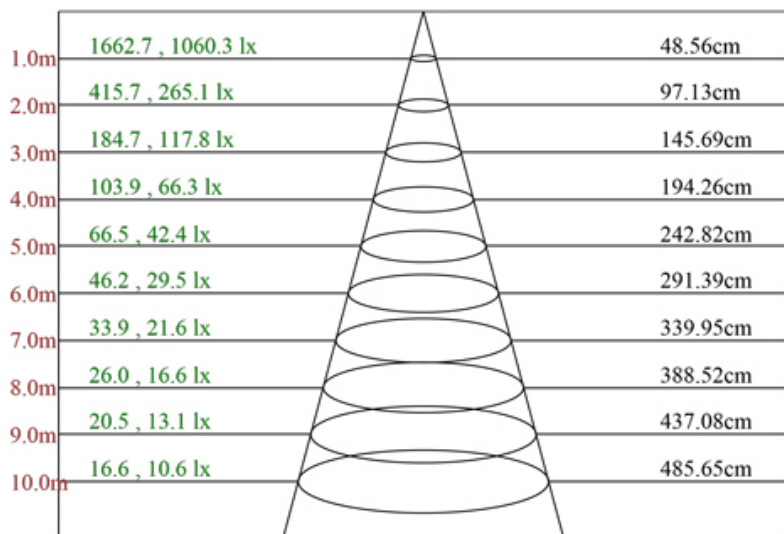
Provides possibility for low voltage wiring in the ceiling & multiple fixtures connected to one power supply.

Saves Contractors Labour On Installation.

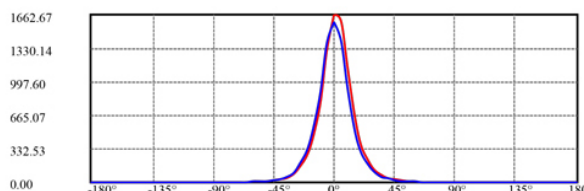
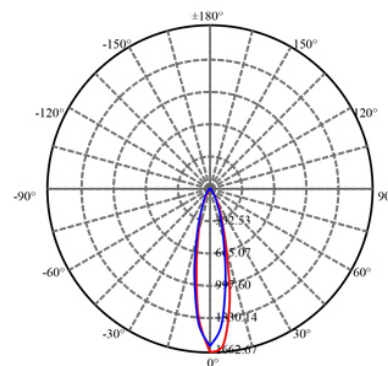
Testing: Every Fixture and DC Module Is Powered For Minimum 24 Hours before packaging.

PHOTOMETRIC DATA OF A LAB TESTED SAMPLE

MODEL:	LL2G24V-41K	LAMP FLUX:	438 LM
VOLTAGE:	24 V DC	LUMENS / POWER:	88 LM/W
POWER:	4.98 W	CENTRAL INTENSITY:	1662 CD
PF:	0.95	BEAM ANGLE:	24 DEGREES



Max , Ave Beam angle of C0plane27.28



ORDERING GUIDE

LL2G - 41K - WH

Available Trims



White



Warehouses

Vancouver Toronto Las Vegas Naples Philadelphia Dallas Seattle

tel: 1-844-24-LOTUS (56887)

fax: 1-877-561-6306

www.lotusLEDlights.com