

Type IC, Wet & Air-Tight



DESCRIPTION

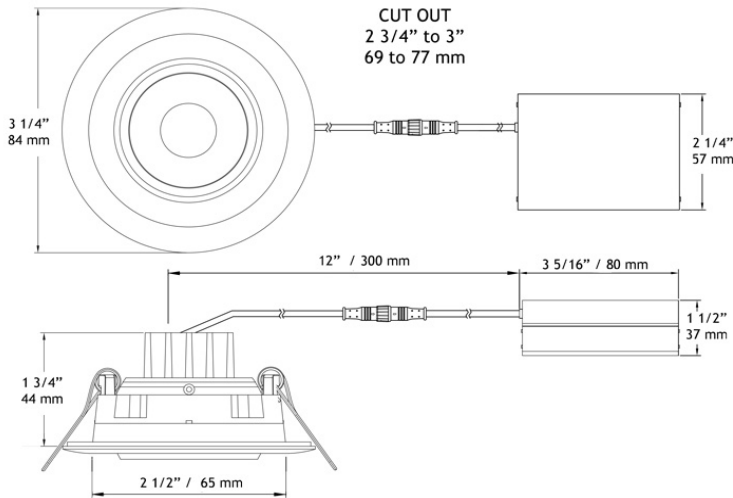
Recessed 3" Gimbal Round LED With Integral Driver In Connection Box.
Fits Where No Other Recessed Fixture Can.
Unique Design: Gimbal Yet Air-Tight Without Housing Needed.

FEATURES & BENEFITS

1 3/4" Thin - Install Where Ceiling Space Is Limited.
Type IC Rated - No Housing Required
Fast & Easy To Install - Save On Labour
Driver Inside Connection Box - No Junction Box Needed
Directional Beam - Great for Sloped Ceilings and Highlighting Artwork
CRI 94 - True Colour Rendering

MOUNTING

Cut Hole In Ceiling And Snap Fixture In Opening With Attached Spring Clips.
Ceiling Clearance Required: 2 1/2" for Romex, 3 1/2" for MC or BX installations



COMPLIANCE



White

Brushed Nickel

Black

Warehouses

Vancouver

Toronto

Las Vegas

Naples

Philadelphia

Dallas

Seattle

tel: 1-844-24-LOTUS (56887)

fax: 1-877-561-6306

www.lotusLEDlights.com

Project: _____

Location: _____

Trim Finish: _____

Qty: _____

Notes: _____

SPECIFICATION	
Applications	Sloped Ceilings, Highlighting Artwork
Energy Used	7.5 W
Colour Temperature	2700 K
Light Output	580 lm
Halogen Equivalent	50 W
Beam Angle	38° Beam with 20° tilt and 360° rotation
CRI	94
Driver Input	120V AC or 277V-347V AC 50/60 Hz
Power Factor	0.98
Dimming	TRIAC Dimmers 5% - 100%
Approved Location	Insulated Ceiling & Wet Locations
Air Tight	Yes
Ambient Temperature	-40° F (-40° C) to +104° F (+40° C)
Projected Life	70% Light Output at 50,000 Hours
Certification	cULus, Energy Star, T24
Warranty	10 Year on Residential
	5 Year on Commercial Applications

Driver Included



Available Trims:

CHARACTERISTICS

- Unique Design:** Gimbal with 20° tilt and 360° rotation, Yet Air-Tight Without Housing Needed. Patent Pending.
- Body:** Durable, Die Cast Aluminum Alloy for Optimal Heat Dissipation.
- Paint:** Oil Based Spray Painted - Scratch Resistant And Smooth Finish.
- LED:** Epistar COB Custom Packaged by Hongli Tronic with LM80.
- Guaranteed 98% Lumen Maintenance After 6,000 Hours.
- Strict Binning To Ensure Consistent Light Colour. CRI 93 for True and Colour Rendering.
- Driver:** 4th Generation Lotus Designed. Field Proven Since 2011.
- Connection Box:** Patented Invention By Lotus LED Lights.
- Saves Contractors Labour On Installation.
- Testing:** Every Single Driver Is Powered For Minimum 24 Hours Together With The Fixture That It Is Shipped With. No Random Tests - We Hand Test Every Fixture & Driver.

LED lighting facts
A Program of the U.S. DOE

Light Output (Lumens)	580
Watts	7.5
Lumens per Watt (Efficacy)	77.33
Color Accuracy Color Rendering Index (CRI)	93
Light Color Correlated Color Temperature (CCT)	2700 (Warm White)

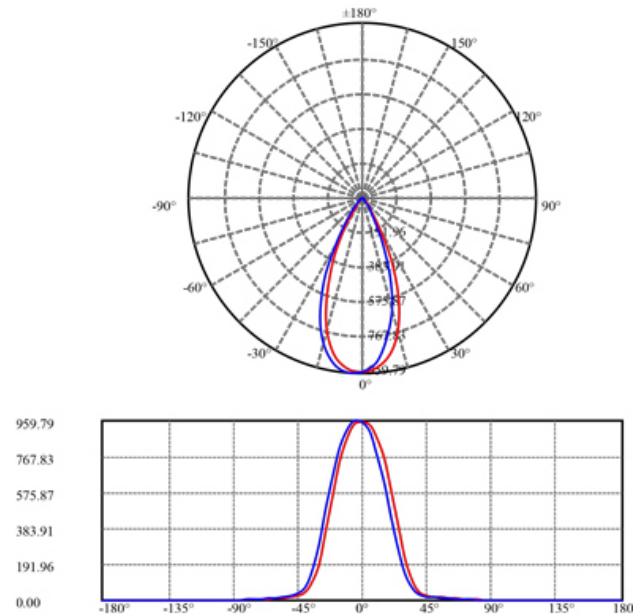
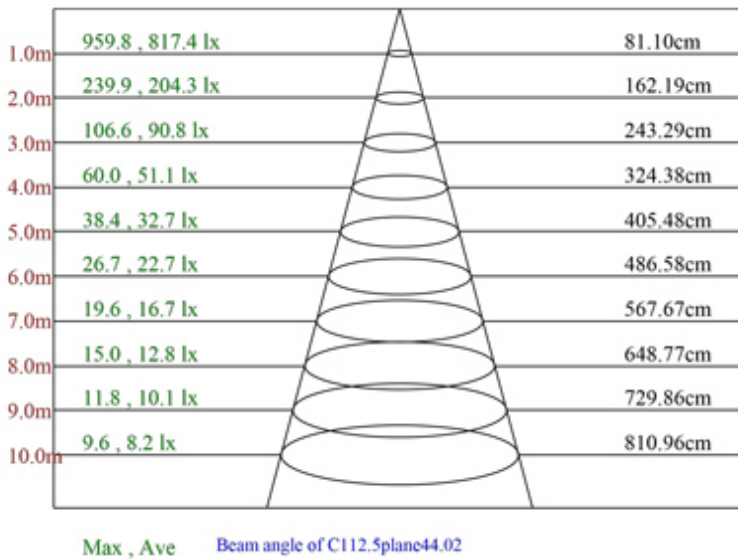
Warm White 2700K | Bright White 3000K | Daylight 4500K | 6500K

Visit www.lightingfacts.com for the Label Reference Guide.

Registration Number: K53C-LUAJMD (8/22/2017)
Model Number: LL3G-27K(L)upate
Type: Luminaire - Downlight

PHOTOMETRIC DATA

MODEL:	LL3G-27K	LAMP FLUX:	583 LM
VOLTAGE:	120 V	LUMENS / POWER:	80 LM/W
POWER:	7.3 W	CENTRAL INTENSITY:	953 CD
PF:	0.994	BEAM ANGLE:	44 DEGREES



ORDERING GUIDE

Example: LL3G - 27K - WH

- LL3G - 27K -
- Trim Finish
- WH : White
 - BK : Black
 - BN : Brushed Nickel

Order 277V - 347V Optional Driver Separately As cat # LLL-LD0716H



ACCESSORIES

Sold Separately



Low Volage Extension Cables
6ft - cat # EXC6, 20ft - cat # EXC20
Max 40 ft Extension Allowed



Rough-In Plates - cat # RIP3



Goof Ring White OD 4 1/2" - cat # GR3



Warehouses: Vancouver Toronto Las Vegas Naples Philadelphia Dallas Seattle

tel: 1-844-24-LOTUS (56887)

fax: 1-877-561-6306

www.lotusLEDlights.com