

Type IC, Wet & Air-Tight



DESCRIPTION

4" Eyeball Gimbal Recessed Round LED With Integral Driver In Connection Box Fits Where No Other Recessed Fixture Can

Unique Design: Gimbal Yet Air-Tight Without Housing Needed

FEATURES & BENEFITS

2" Thin - Install Where Ceiling Space Is Limited.

Type IC Rated - No Housing Required

Fast & Easy To Install - Save On Labour

Driver Inside Connection Box - No Junction Box Needed

Directional Beam - Great for Sloped Ceilings and Highlighting Artwork

CRI 90+ for True Colour Rendering

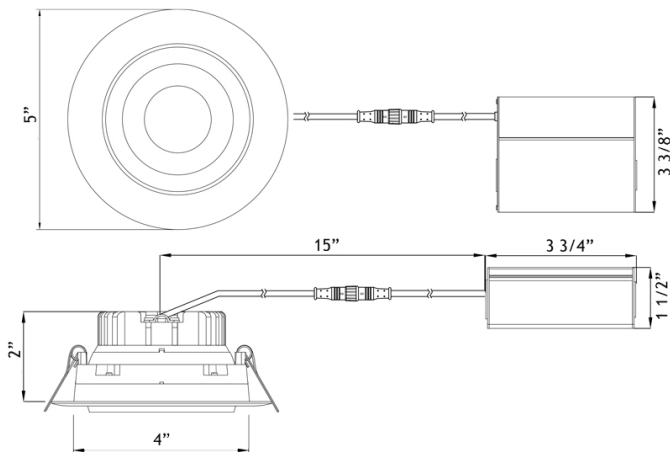
MOUNTING

Cut Hole In Ceiling And Snap Fixture In Opening With Attached Spring Clips.

Ceiling Clearance Required: 2 1/2"

DIMENSIONS

ID 4" OD 5" Cut Out 4" to 4 1/2"



COMPLIANCE



Canadian Patent No. 2,967,954 and United States Patent Pending



Project: _____

Location: _____

Trim Finish: _____ Qty: _____

Notes: _____

SPECIFICATION	
Applications	Sloped Ceilings, Highlighting Artwork
Energy Used	11.4 W
Colour Temperature	2700 K
Light Output	960 lm
Halogen Equivalent	90 W
Beam Angle	38° Beam with 30° tilt and 360° rotation
CRI	90 +
Driver Input	120V AC or 277V-347V AC 50/60 Hz
Power Factor	0.95
Dimming	TRIAC Dimmers 5% - 100%
Approved Location	Insulated Ceiling & Wet Locations
IP Rating	IP 54
Air Tight	Yes
Ambient Temperature	-40° F (-40° C) to +104° F (+40° C)
Projected Life	70% Light Output at 50,000 Hours
Certification	cULus, Energy Star, T24
Warranty	10 Year on Residential 5 Year on Commercial Applications

Driver Included

Cable Rating FT4 / CM



Available Trims



White

Black

Brushed Nickel

CHARACTERISTICS

Unique Design: 4" Eyeball Recessed Gimbal with 30° tilt and 360° rotation.

Yet Air-Tight Without Housing Needed.

Body: Durable, Die Cast Aluminum Alloy for Optimal Heat Dissipation.

Paint: Oil Based Spray Painted - Scratch Resistant And Smooth Finish.

LED: Epistar COB Custom Packaged by Hongli Tronic with LM80.

Guaranteed 98% Lumen Maintenance After 6,000 Hours.

Strict Binning To Ensure Consistent Light Colour. CRI 90 for True and Colour Rendering.

Driver: 4th Generation Lotus Designed. Field Proven Since 2011.

Connection Box: Patented Invention By Lotus LED Lights.

Saves Contractors Labour On Installation.

Testing: Every Single Driver Is Powered For Minimum 24 Hours Together With The Fixture That It Is Shipped With. No Random Tests.

Lighting facts
A Program of the U.S. DOE

Light Output (Lumens)	960
Watts	11.4
Lumens per Watt (Efficacy)	84.21
Color Accuracy Color Rendering Index (CRI)	94
Light Color Correlated Color Temperature (CCT)	2700 (Warm White)

Color scale: Warm White (2700K), Bright White (3000K), Daylight (4500K, 6500K)

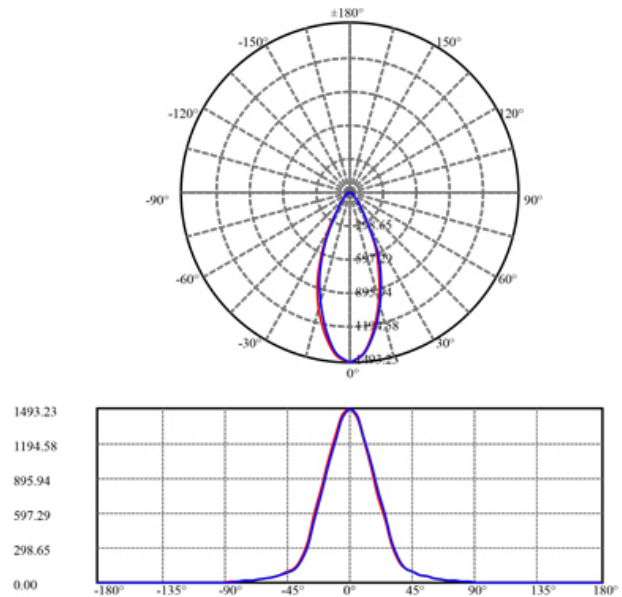
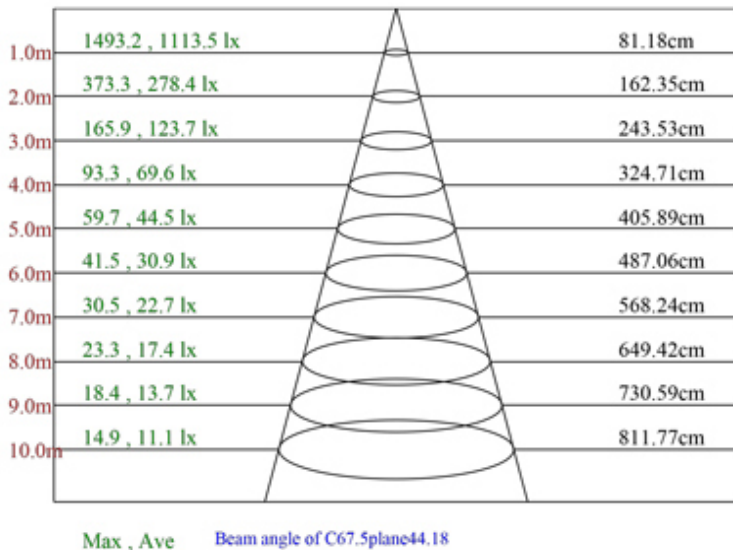
All results are according to IESNA LM-79-2008: Approved Method for the Electrical and Photometric Testing of Solid-State Lighting. The U.S. Department of Energy (DOE) verifies product test data and results.

Visit www.lightingfacts.com for the Label Reference Guide.

Registration Number: K53C-5FIMH (6/22/2017)
Model Number: LL4G-27K(Update)
Type: Luminaire - Downlight

PHOTOMETRIC DATA OF A LAB TESTED SAMPLE

MODEL:	LL4G - 27K	LAMP FLUX:	960 LM
VOLTAGE:	120 V	LUMENS / POWER:	87 LM/W
POWER:	11.1 W	CENTRAL INTENSITY:	1489 CD
PF:	0.987	BEAM ANGLE:	44 DEGREES



ORDERING GUIDE

Example: LL4G - 27K - WH

LL4G - 27K - Trim Finish
 WH : White
 BK : Black
 BN : Brushed Nickel

Order 277V - 347V Optional Driver Separately As cat # LLL-LD1025H



ACCESSORIES

- Low Volage Extension Cables
6ft - cat # EXC6, 20ft - cat # EXC20
Max 40 ft Allowed. FT4 / CM rated
- Flat Rough-In Plates - cat # RIP4
- Flanged Rough-In Plate - cat # LRP4
- Goof Ring OD 5 3/4"
White - cat # GR4 Black - cat # GR4-BK



Warehouses
 Vancouver Toronto Las Vegas Naples Philadelphia Dallas Seattle Chicago Denver

tel: 1-844-24-LOTUS (56887)

fax: 1-877-561-6306

www.lotusLEDlights.com