

Type IC, Wet & Air-Tight



Project: _____

Location: _____

Qty: _____

Notes: _____

DESCRIPTION

Recessed 4" Round LED With Integral Driver In Connection Box.
Fits Where No Other Recessed Fixture Can.

FEATURES & BENEFITS

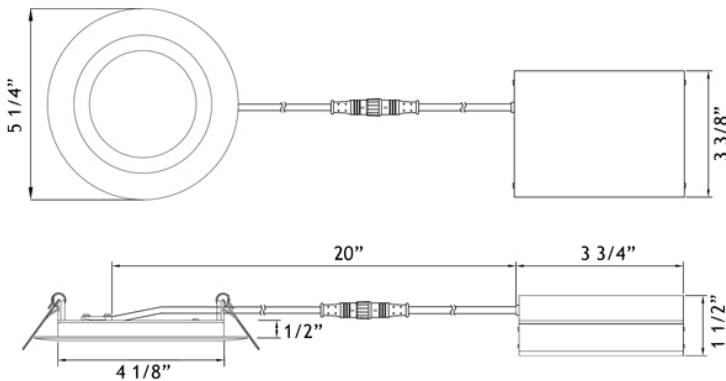
- 1/2" Thin - Install Directly Under Joists, Maximum Layout Flexibility
- Driver Inside Connection Box - No Junction Box Needed
- Fast & Easy To Install - Save On Labour
- Type IC Rated - No Housing Required
- Dim to Warm 3500K to 2000K
- CRI 90+ for True Colour Rendering
- Wide Trim - No More Goof Rings
- Wet Location Approved

MOUNTING

Cut Hole In Ceiling And Snap Fixture In Opening With Attached Spring Clips.
2" Above Ceiling Clearance Required For Driver.

DIMENSIONS

ID 4 1/8" OD 5 1/4" Cut Out 4 1/4" to 4 1/2"



SPECIFICATION	
Applications	Recessed Ceiling, Showers & Soffits
Energy Used	13.5 W
Colour Temperature	3500 K to 2000 K
Light Output	600 lm
Halogen Equivalent	60 W
Beam Angle	110°
CRI	90 +
Driver Input	120V AC or 277V-347V
Power Factor	0.98
Dimming	TRIAC Dimmers 5% - 100%
Approved Location	Insulated Ceiling, Wet & Damp Locations
IP Rating	IP 54
Air Tight	Yes
Ambient Temperature	-40° F (-40° C) to +104° F (+40° C)
Projected Life	70% Light Output at 50,000 Hours
Certification	cULus
Warranty	10 Year on Residential 5 Year on Commercial Applications

Driver Included

Cable Rating FT4 / CM



Trim Options



White

Black, Brushed Nickel & Brushed Copper
trims available with 90 days lead time

COMPLIANCE



CHARACTERISTICS

Body: Durable, Die Cast Aluminum Alloy for Optimal Heat Dissipation.

Paint: Oil Based Spray Painted - Scratch Resistant And Smooth Finish.

LEDs: 48 Pieces Of Custom Packaged LM80 Epistar 2835. CRI > 90.

Guaranteed 98% Lumen Maintenance After 6,000 Hours.

Strict Binning To Ensure Consistent Light Colour.

Driver: 4th Generation Lotus Designed. Field Proven Since 2011.

Connection Box: Patented Invention By Lotus LED Lights.

Saves Contractors Labour On Installation.

Testing: Every Single Driver Is Powered For Minimum 24 Hours

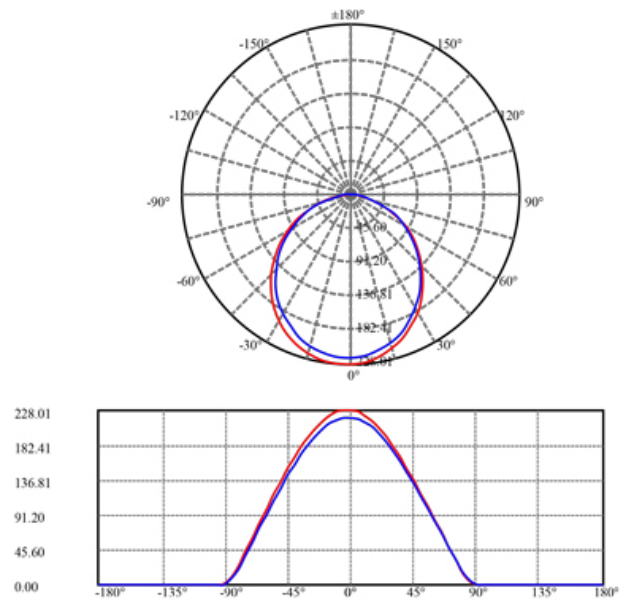
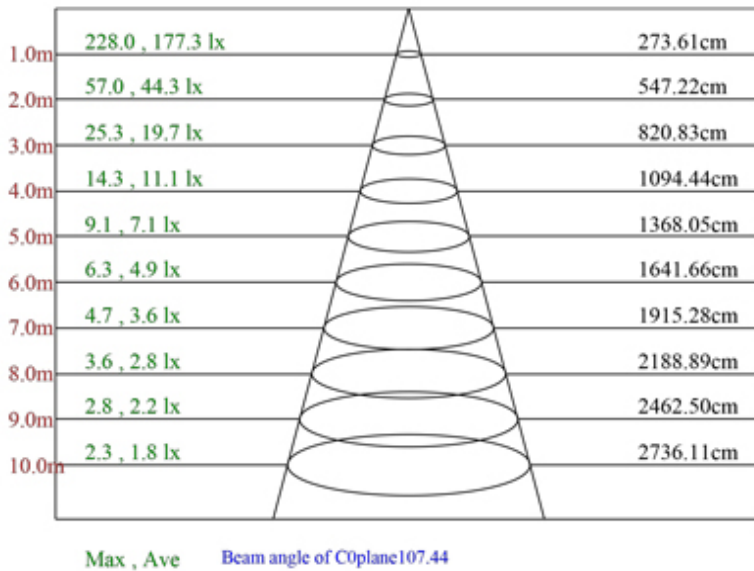
Together With The Fixture That It Is Shipped With.

Every LED Is Visually Checked Before And After The PCB Is Mounted On The Fixture.

No Random Tests - We Hand Test Every Fixture & Driver.

PHOTOMETRIC DATA OF A LAB TESTED SAMPLE

MODEL:	LL4R-35K	LAMP FLUX:	595 LM
VOLTAGE:	120 V	LUMENS / POWER:	43 LM/W
POWER:	13.9 W	CENTRAL INTENSITY:	228 CD
PF:	0.99	BEAM ANGLE:	107 DEGREES



ORDERING GUIDE

Example: LL4R - 35K - WH

LL4R - 35K - Trim Finish
 WH : White
 BK : Black *
 BN : Brushed Nickel *
 BC : Brushed Copper *
 * Custom Order

Order 277V - 347V Optional Driver Separately As cat # LLL-LD1535H



ACCESSORIES



Low Voltage Extension Cables
 6ft - cat # EXC6, 20ft - cat # EXC20
 Max 40 ft Allowed. FT4 / CM rated



Flanged Rough-In Plates - cat # LRP412



Flat Rough-In Plates - cat # RIP412



Warehouses
 Vancouver Toronto Las Vegas Naples Philadelphia Dallas Seattle Chicago Denver

tel: 1-844-24-LOTUS (56887)

fax: 1-877-561-6306

www.lotusLEDlights.com