

### Type IC, Wet & Air-Tight



Project: \_\_\_\_\_

Location: \_\_\_\_\_

Trim Finish: \_\_\_\_\_ Qty: \_\_\_\_\_

Notes: \_\_\_\_\_

#### DESCRIPTION

Recessed 4" Round LED With Integral Driver In Connection Box.  
Fits Where No Other Recessed Fixture Can.

#### FEATURES & BENEFITS

- 1/2" Thin - Install Directly Under Joists, Maximum Layout Flexibility
- Driver Inside Connection Box - No Junction Box Needed
- Fast & Easy To Install - Save On Labour
- Type IC Rated - No Housing Required
- CRI 90+ for True Colour Rendering
- Wide Trim - No More Goof Rings
- Wet Location Approved

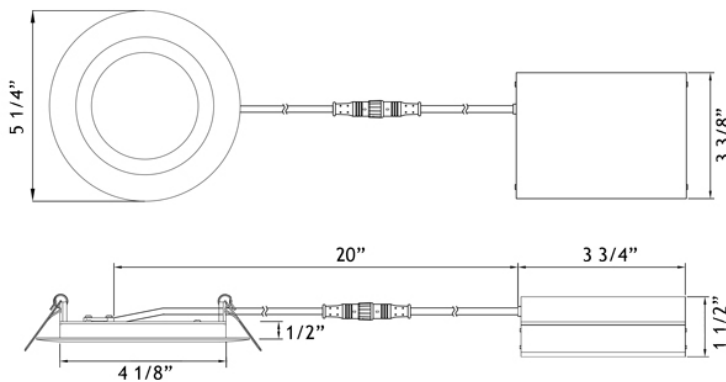
#### MOUNTING

Cut Hole In Ceiling And Snap Fixture In Opening With Attached Spring Clips.  
2" Above Ceiling Clearance Required For Driver.

SPECIFICATION	
Applications	Recessed Ceiling, Showers & Soffits
Energy Used	13.5 W
Colour Temperature	4000 K
Light Output	800 lm
Halogen Equivalent	75 W
Beam Angle	110°
CRI	90 +
Driver Input	120V AC or 277V-347V
Power Factor	0.98
Dimming	TRIAC Dimmers 5% - 100%
Approved Location	Insulated Ceiling, Wet Locations
IP Rating	IP 54
Air Tight	Yes
Ambient Temperature	-40° F (-40° C) to +104° F (+40° C)
Projected Life	70% Light Output at 50,000 Hours
Certification	cULus, Energy Star, T24
Warranty	10 Year on Residential 5 Year on Commercial Applications

#### DIMENSIONS

ID 4 1/8"    OD 5 1/4"    Cut Out 4 1/4" to 4 1/2"

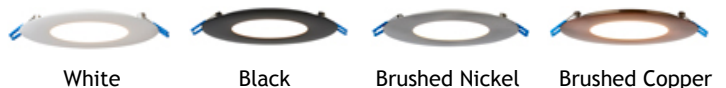


#### Driver Included

Cable Rating FT4 / CM



#### Trim Options



#### COMPLIANCE



## CHARACTERISTICS

**Body:** Durable, Die Cast Aluminum Alloy for Optimal Heat Dissipation.

**Paint:** Oil Based Spray Painted - Scratch Resistant And Smooth Finish.

**LEDs:** 48 Pieces Of Custom Packaged LM80 Epistar 2835. CRI > 90.

Guaranteed 98% Lumen Maintenance After 6,000 Hours.

Strict Binning To Ensure Consistent Light Colour.

**Driver:** 4th Generation Lotus Designed. Field Proven Since 2011.

**Connection Box:** Patented Invention By Lotus LED Lights.

Saves Contractors Labour On Installation.

**Testing:** Every Single Driver Is Powered For Minimum 24 Hours

Together With The Fixture That It Is Shipped With.

Every LED Is Visually Checked Before And After The PCB Is Mounted On The Fixture.

No Random Tests - We Hand Test Every Fixture & Driver.

LOTUS LED Lights

**lighting facts**  
A Program of the U.S. DOE


Light Output (Lumens)	<b>800</b>
Watts	<b>13.5</b>
Lumens per Watt (Efficacy)	<b>59.26</b>

---

**Color Accuracy**  
Color Rendering Index (CRI) **90**

---

**Light Color**  
Correlated Color Temperature (CCT) **4000 (Bright White)**



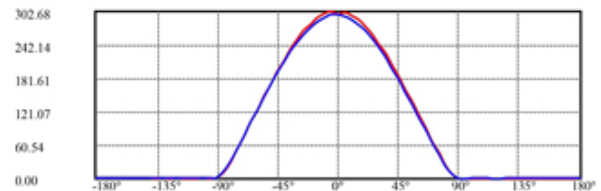
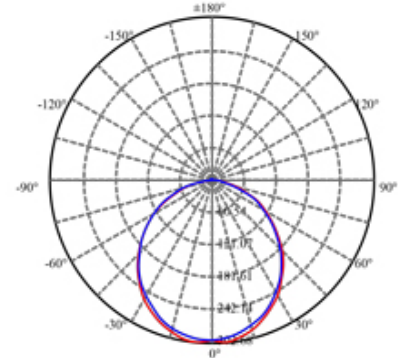
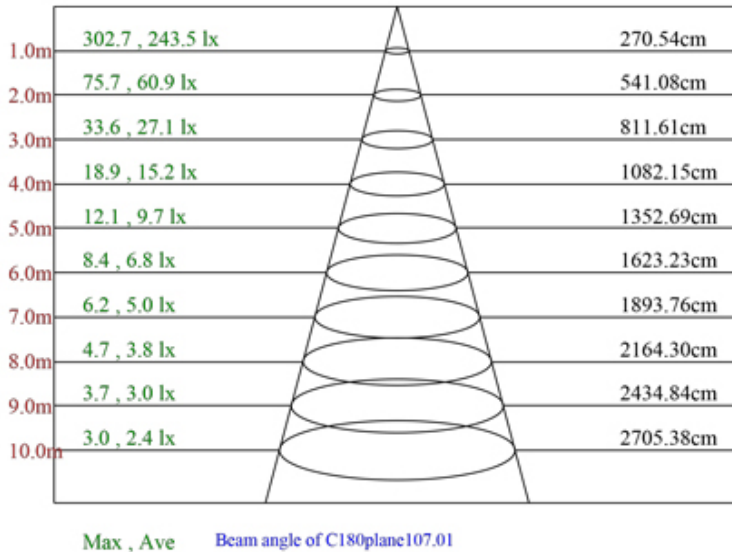
All results are according to IESNA LM-79-2008. Approved Method for the Electrical and Photometric Testing of Solid-State Lighting. The U.S. Department of Energy (DOE) verifies product test data and results.

Visit [www.lightingfacts.com](http://www.lightingfacts.com) for the Label Reference Guide.

Registration Number: K53C-F653B1 (10/24/2017)  
Model Number: LL4R-40K  
Type: Luminaire - Downlight

## PHOTOMETRIC DATA OF A LAB TESTED SAMPLE

MODEL:	LL4R-40K	LAMP FLUX:	806 LM
VOLTAGE:	120 V	LUMENS / POWER:	61 LM/W
POWER:	13.27 W	CENTRAL INTENSITY:	298 CD
PF:	0.99	BEAM ANGLE:	107 DEGREES



## ORDERING GUIDE

Example: LL4R - 40K - WH

LL4R - 40K -

WH : White  
BK : Black  
BN : Brushed Nickel  
BC : Brushed Copper

Order 277V - 347V Optional Driver Separately As cat # LLL-LD1535H



## ACCESSORIES



Low Voltage Extension Cables  
6ft - cat # EXC6, 20ft - cat # EXC20  
Max 40 ft Allowed. FT4 / CM rated



Flanged Rough-In Plates - cat # LRP412



Flat Rough-In Plates - cat # RIP412



Warehouses

Vancouver    Toronto    Las Vegas    Naples    Philadelphia    Dallas    Seattle    Chicago    Denver

tel: 1-844-24-LOTUS (56887)

fax: 1-877-561-6306

[www.lotusLEDlights.com](http://www.lotusLEDlights.com)