

Type IC, Wet & Air-Tight



Project: _____

Location: _____

Qty: _____

Notes: _____

DESCRIPTION

24V Input Recessed 4" Round LED With Integral Driver In Connection Box.
Fits Where No Other Recessed Fixture Can.

FEATURES & BENEFITS

1/2" Thin - Install Directly Under Joists, Maximum Layout Flexibility
Type IC Rated - No Housing Required
Fast & Easy To Install - Save On Labour
Directional Beam - Great for Sloped Ceilings and Highlighting Artwork
CRI 92 - True Colour Rendering
 Possibility for low volgate wiring in the ceiling & multiple fixtures connected to one driver. Not Dimmable.

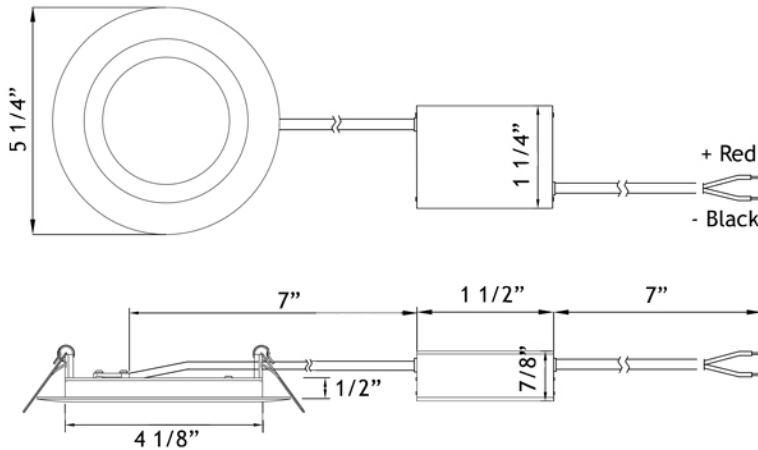
MOUNTING

Cut Hole In Ceiling And Snap Fixture In Opening With Attached Spring Clips.
2" Above Ceiling Clearance Required For Driver.

SPECIFICATION	
Applications	Recessed Ceiling, Showers & Soffits
Energy Used	13.5 W
Colour Temperature	2700 K
Light Output	750 lm
Halogen Equivalent	75 W
Beam Angle	110°
CRI	90 +
Input	24 V DC
Dimming	Not Dimmable
Approved Location	Insulated Ceiling, Wet & Damp Locations
IP Rating	IP 54
Air Tight	Yes
Ambient Temperature	-40° F (-40° C) to +104° F (+40° C)
Projected Life	70% Light Output at 50,000 Hours
Certification	cULus
Warranty	5 Year

DIMENSIONS

ID 4 1/8" OD 5 1/4" Cut Out 4 1/4" to 4 1/2"



Every fixture comes with an external DC Module for regulating the voltage & current.
Input of this DC Module is 24V.



COMPLIANCE



CHARACTERISTICS

Body: Durable, Die Cast Aluminum Alloy for Optimal Heat Dissipation.

Paint: Oil Based Spray Painted - Scratch Resistant And Smooth Finish.

LEDs: 48 Pieces Of Custom Packaged LM80 Epistar 2835. CRI > 90.

Guaranteed 98% Lumen Maintenance After 6,000 Hours.

Strict Binning To Ensure Consistent Light Colour.

CRI > 90 for True Colour Rendering.

DC Module: 24V input DC Module connected to the fixture to regulate the voltage and current.

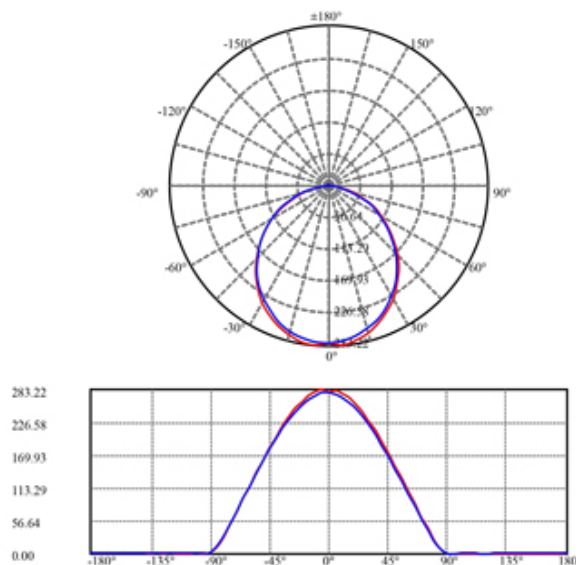
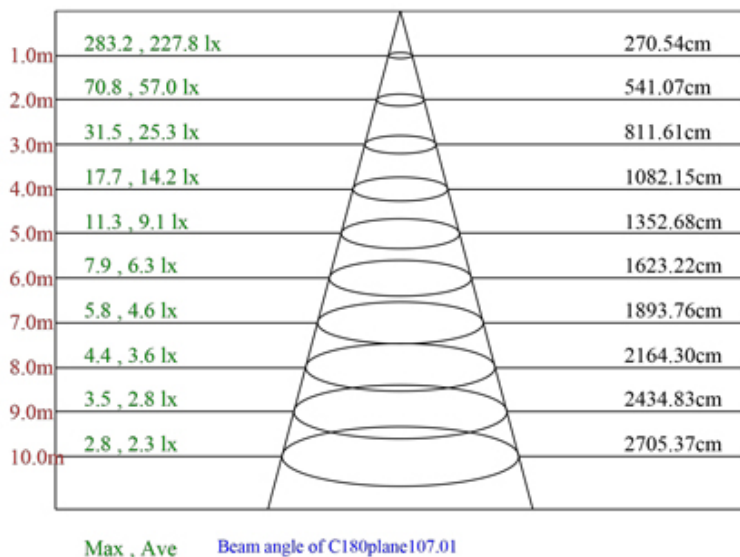
Provides possibility for low voltage wiring in the ceiling & multiple fixtures connected to one power supply.

Saves Contractors Labour On Installation.

Testing: Every Fixture and DC Module Is Powered For Minimum 24 Hours before packaging.

PHOTOMETRIC DATA OF A LAB TESTED SAMPLE

MODEL:	LL4R-27K	LAMP FLUX:	754 LM
VOLTAGE:	120 V	LUMENS / POWER:	57 LM/W
POWER:	13.17 W	CENTRAL INTENSITY:	278 CD
PF:	0.99	BEAM ANGLE:	107 DEGREES



ORDERING GUIDE

LL4R24V - 27K - WH

Available Trims



White

ACCESSORIES



Flanged Rough-In Plates - cat # LRP412



Flat Rough-In Plates - cat # RIP412



Warehouses
 Vancouver Toronto Las Vegas Naples Philadelphia Dallas Seattle Chicago Denver

tel: 1-844-24-LOTUS (56887)

fax: 1-877-561-6306

www.lotusLEDlights.com