

### Type IC, Wet & Air-Tight



Project: \_\_\_\_\_

Location: \_\_\_\_\_

Qty: \_\_\_\_\_

Notes: \_\_\_\_\_

#### DESCRIPTION

24V Input Recessed 4" Round LED With Integral Driver In Connection Box.  
Fits Where No Other Recessed Fixture Can.

#### FEATURES & BENEFITS

- 1/2" Thin** - Install Directly Under Joists, Maximum Layout Flexibility
- Type IC Rated** - No Housing Required
- Fast & Easy To Install** - Save On Labour
- Directional Beam** - Great for Sloped Ceilings and Highlighting Artwork
- CRI 92** - True Colour Rendering
- Possibility for low volgate wiring in the ceiling & multiple fixtures connected to one driver. Not Dimmable.

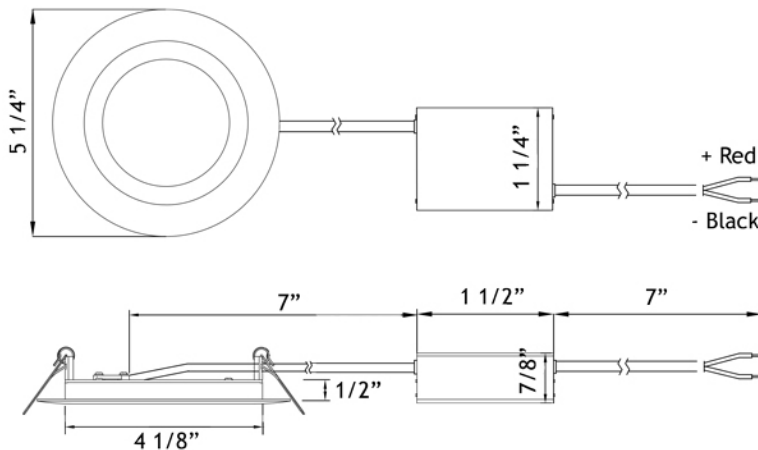
#### MOUNTING

Cut Hole In Ceiling And Snap Fixture In Opening With Attached Spring Clips.  
2" Above Ceiling Clearance Required For Driver.

SPECIFICATION	
Applications	Recessed Ceiling, Showers & Soffits
Energy Used	13.5 W
Colour Temperature	4000 K
Light Output	800 lm
Halogen Equivalent	75 W
Beam Angle	110°
CRI	90 +
Input	24 V DC
Dimming	Not Dimmable
Approved Location	Insulated Ceiling, Wet & Damp Locations
IP Rating	IP 54
Air Tight	Yes
Ambient Temperature	-40° F (-40° C) to +104° F (+40° C)
Projected Life	70% Light Output at 50,000 Hours
Certification	cULus
Warranty	5 Year

#### DIMENSIONS

ID 4 1/8"    OD 5 1/4"    Cut Out 4 1/4" to 4 1/2"



Every fixture comes with an external DC Module for regulating the voltage & current.  
Input of this DC Module is 24V.



#### COMPLIANCE



**CHARACTERISTICS**

**Body:** Durable, Die Cast Aluminum Alloy for Optimal Heat Dissipation.

**Paint:** Oil Based Spray Painted - Scratch Resistant And Smooth Finish.

**LEDs:** 48 Pieces Of Custom Packaged LM80 Epistar 2835. CRI > 90.

Guaranteed 98% Lumen Maintenance After 6,000 Hours.

Strict Binning To Ensure Consistent Light Colour.

CRI > 90 for True Colour Rendering.

**DC Module:** 24V input DC Module connected to the fixture to regulate the voltage and current.

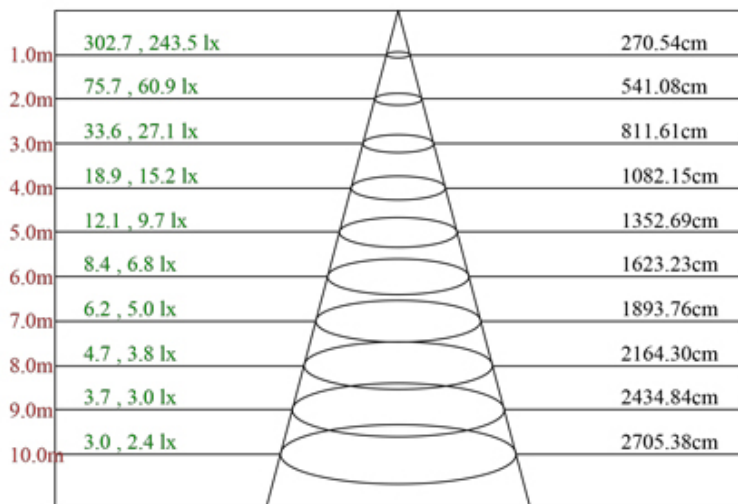
Provides possibility for low voltage wiring in the ceiling & multiple fixtures connected to one power supply.

Saves Contractors Labour On Installation.

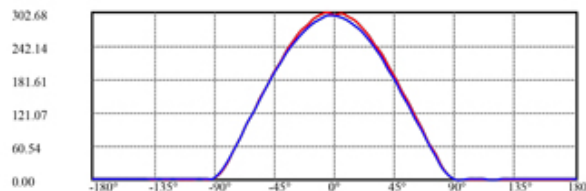
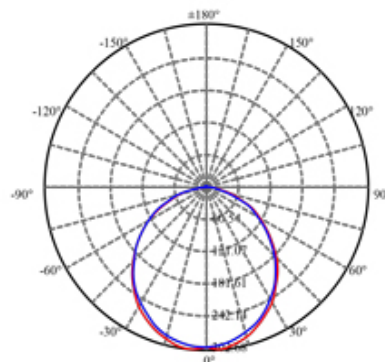
**Testing:** Every Fixture and DC Module Is Powered For Minimum 24 Hours before packaging.

**PHOTOMETRIC DATA OF A LAB TESTED SAMPLE**

MODEL:	LL4R-40K	LAMP FLUX:	806 LM
VOLTAGE:	120 V	LUMENS / POWER:	61 LM/W
POWER:	13.27 W	CENTRAL INTENSITY:	298 CD
PF:	0.99	BEAM ANGLE:	107 DEGREES



Max , Ave Beam angle of C180plane107.01



**ORDERING GUIDE**

LL4R24V - 40K - WH

Available Trims



White

**ACCESSORIES**



Flanged Rough-In Plates - cat # LRP412



Flat Rough-In Plates - cat # RIP412



Vancouver Toronto Las Vegas Naples Philadelphia Dallas Seattle Chicago Denver

tel: 1-844-24-LOTUS (56887)

fax: 1-877-561-6306

www.lotusLEDlights.com

**Warehouses**